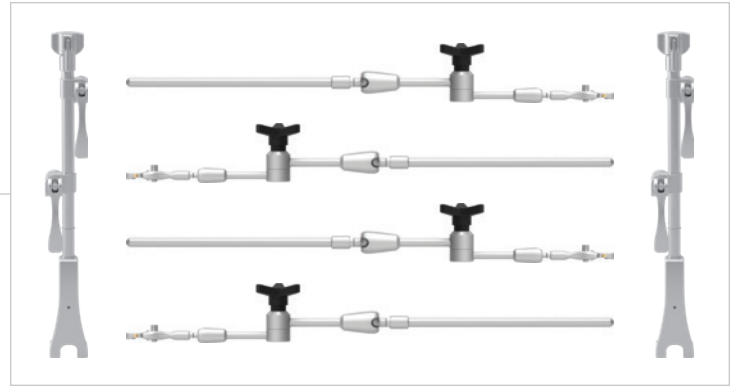
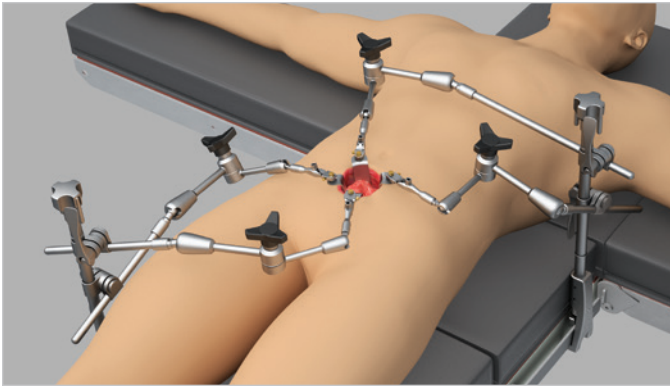




**Thompson ALIF Articulating Arm System User Manual:**  
SET UP INSTRUCTIONS FOR THOMPSON ALIF ARTICULATING ARM SYSTEM

## Frame Set Up Instructions

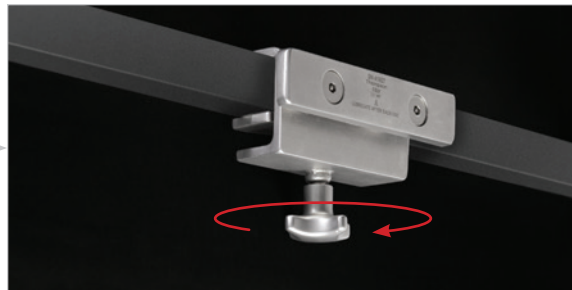


-  **CAUTION:** Avoid compressing the patient's body with frame components to prevent nerve damage.
-  **The Thompson Retractor is provided in a non-sterile condition. Refer to Thompson Retractor IFU for cleaning, sterilization, and care instructions. Reference the Thompson Retractor IFU for additional warnings and cautions.**
- For other Thompson Retractor Systems, reference corresponding User Manual for each.**

### IF USING A JACKSON SPINE TABLE: JACKSON FRAME ADAPTER

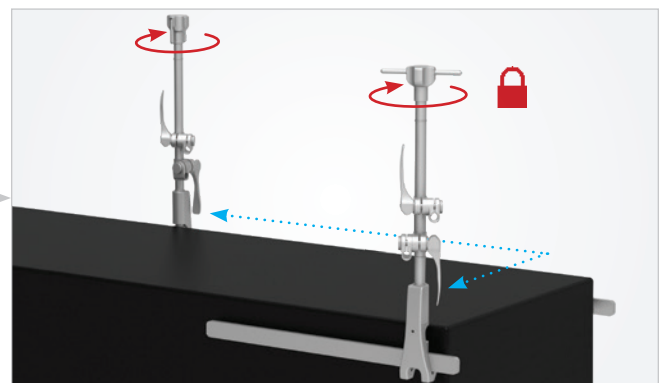
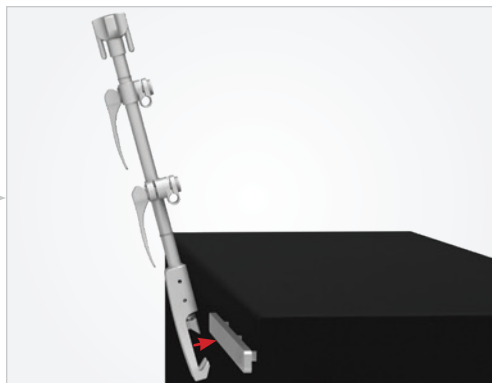
Place Jackson Frame Adapter onto table and turn knob clockwise to tighten. Once secured, a Thompson rail clamp may be added.

**NOTE: Jackson Frame Adapter is for attachment of Thompson Retractors only. DO NOT use with other retractors as it may not be compatible.**



### ADDING RAIL CLAMPS

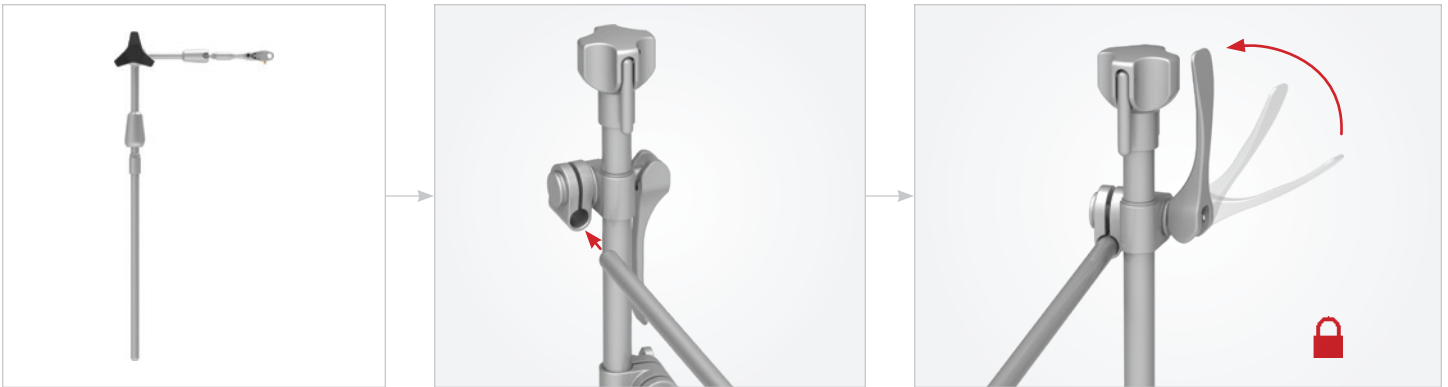
Place Elite Rail Clamp onto the rail over the sterile drape near the axilla of the patient, adjacent to armboard, and turn top knob clockwise to tighten. Repeat on opposite side of table, near the upper thigh, 10 - 12" below midpoint of incision.



## Frame Set Up Instructions ( Continued )

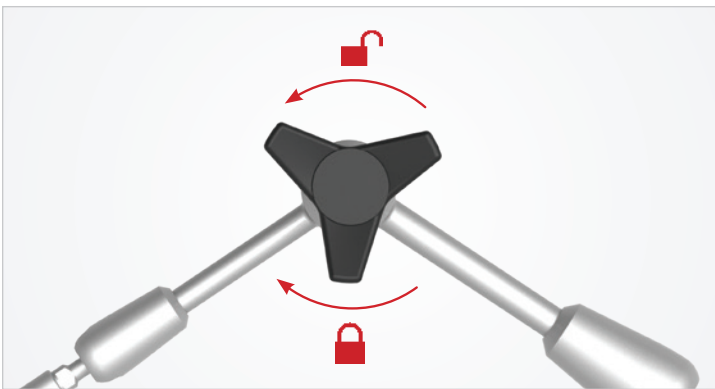
### ADDING ARTICULATING ARMS

With rail clamp joint in the unlocked position, insert the articulating arm into the rail clamp joint and position as needed. Lock by flipping the cam handle. Repeat with remaining arms.



### ADJUSTING ARTICULATING ARMS

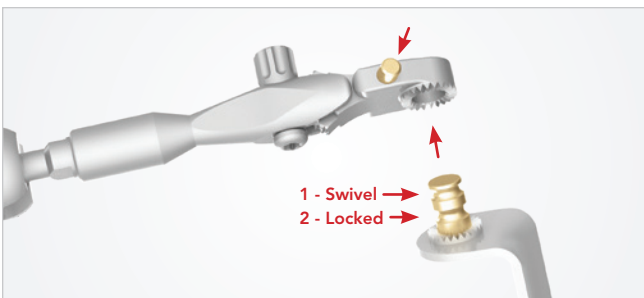
To adjust arm, turn the black knob counter-clockwise to loosen, adjust as needed, and turn knob clockwise to tighten and secure placement.



## Adding and Adjusting Retractor Blades

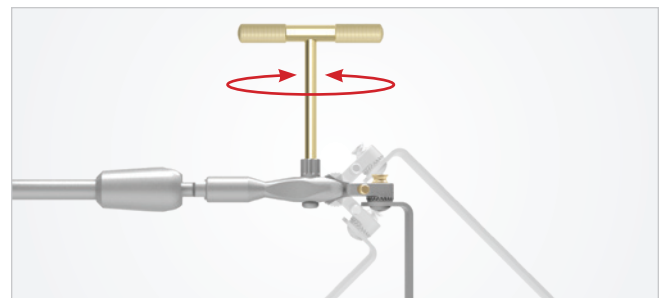
### S-LOCK®

Attach blade to handle by pushing plunger and inserting blade nipple. Push plunger to release blade and switch between 'swivel' and 'locked' positions.



### QUICK ANGLE

Blades may be angled 45° up or down by hand or with T-Handle.



For a Free Trial Call Today\*

**1.800.227.7543**

Rev A  
041822  
dc alaaum



Uncompromised Exposure

VISIT US ONLINE: [THOMPSONSURGICAL.COM](http://THOMPSONSURGICAL.COM)

 **Thompson**  
SURGICAL INSTRUMENTS  
10341 East Cherry Bend Road  
Traverse City, Michigan 49684  
phone: 231.922.0177  
fax: 231.922.0174  
[thompsonsurgical.com](http://thompsonsurgical.com)

EC REP

**Emergo Europe**

Prinsessegracht 20  
2514 AP The Hague  
THE NETHERLANDS

\* Free trial valid for U.S. customers only. Customers outside U.S. please call +1-231-922-0177 for availability.

© 2022 Thompson Surgical Instruments, Inc. Printed in the U.S.A.

® S-Lock® and the "T Circle" logomark are Registered Trademarks of Thompson Surgical Instruments, Inc.  
Patents: [trpat.com](http://trpat.com)

Note: As we continually strive to provide the best products possible, some of the images in this document may appear slightly different from the product received.

CE 0297

Made In  
**USA**