

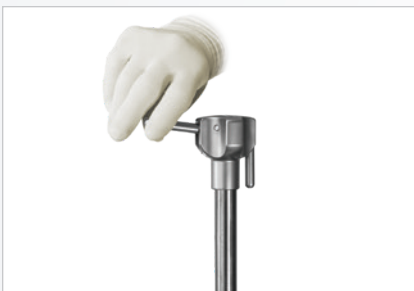


"A very nicely engineered, well-made device. Very solid, sturdy, and easy to use."

- David German, MD

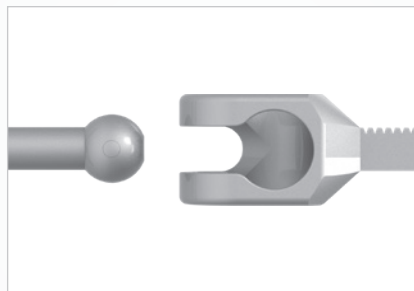
Femur Elevator

The Thompson Retractor Femur Elevator uses a sterile mount Elite Rail Clamp to securely attach to the OR table, providing stable, hands-free elevation of the femur, eliminating the need for extra staff. The Femur hook and Micro-Adjustable handle allow for consistent and precise positioning.



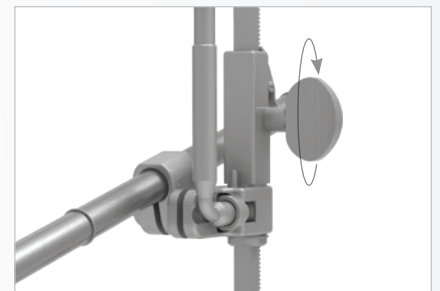
Sterile Mount

Top control allows attachment to table, as well as adjustments, to be achieved within the sterile field.



Fast, Easy Attachment

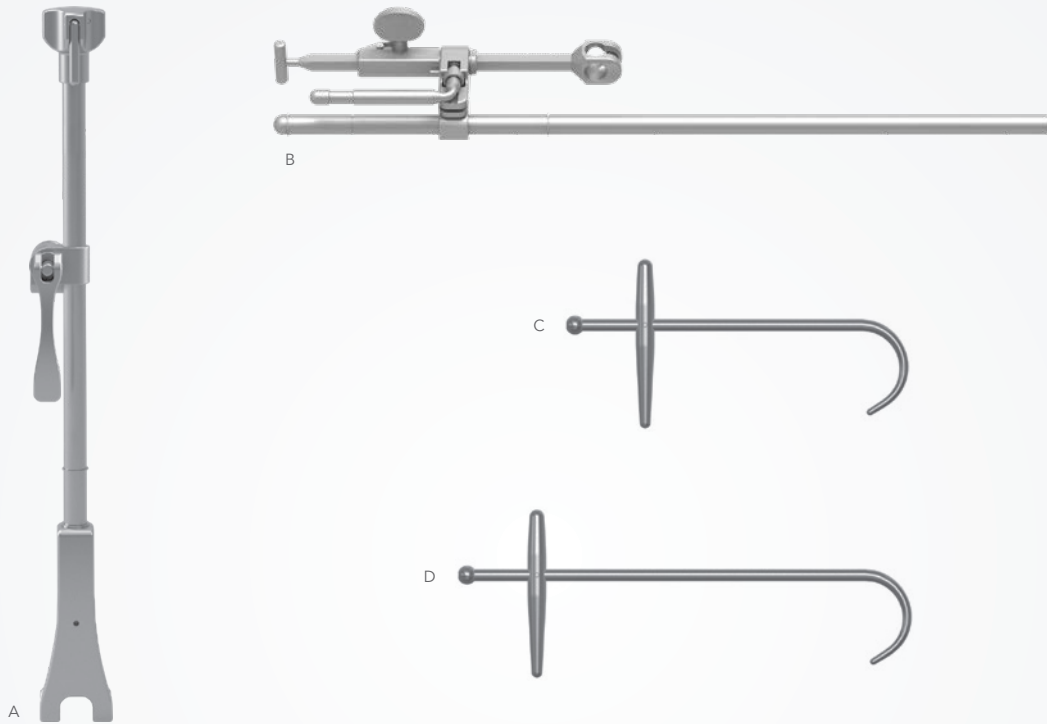
Femur hook attaches quickly to the frame for easy femur elevation.



Micro-Adjustable

Elevator handle provides controlled, precise femur elevation using micro-adjustments.

Femur Elevator System ORDERING INFORMATION



FEMUR ELEVATOR SYSTEM #90025

REF	PART #	ITEM DESCRIPTION	QTY
A	43902AC	Elite III Rail Clamp with 1 Cam Joint 18"	1
B	44301	25" Straight Arm with Elevator Handle	1
C	44309	Femur Hook 9"	1
D	44312	Femur Hook 12"	1
	50000BL	Instrument Case 26" x 10" x 5"	1

OPTIONAL ADD-ONS

PART #	ITEM DESCRIPTION
44300	20" Straight Arm with Elevator Handle
41938 *	Rail Extender 20" with 1 Power Rail Clamp

* Required for use with Hana® tables or leg positioning systems such as the Arch system.



Visit us online: thompsonsurgical.com
 For a Free Trial Call **1-800-227-7543** *

* Free trial valid for U.S. customers only. Customers outside the U.S.A., please call +1-231-922-0177 for availability.

© 2021 Thompson Surgical Instruments, Inc.

® The "T Circle" logomark is a Registered Trademark of Thompson Surgical Instruments, Inc.
 Patents: tpat.com

Rev A
 121621
 hipfess

