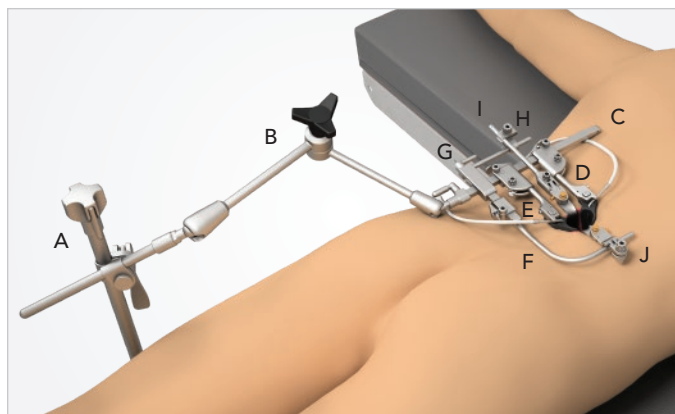


MIS PLA® System COMPONENTS

MIS PLA® System



MIS PLA® SYSTEM

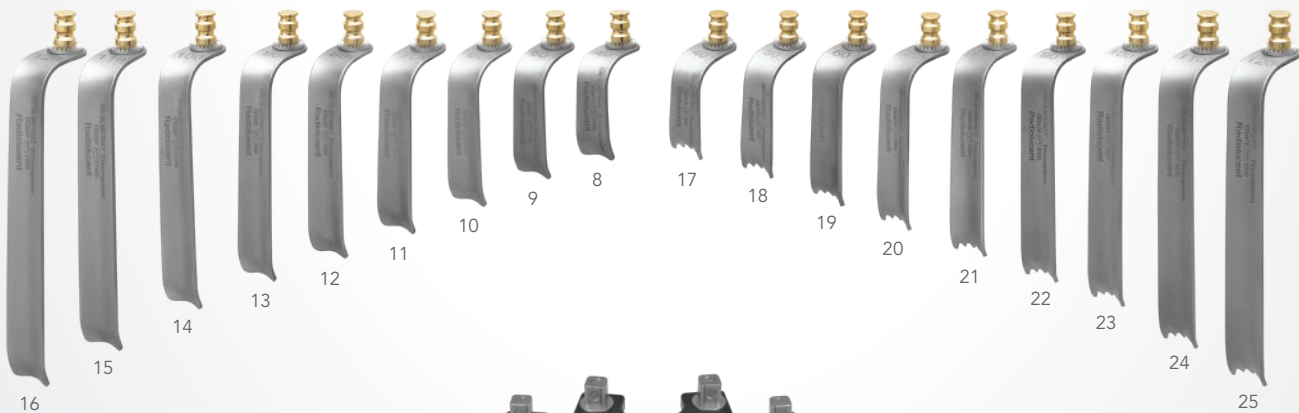
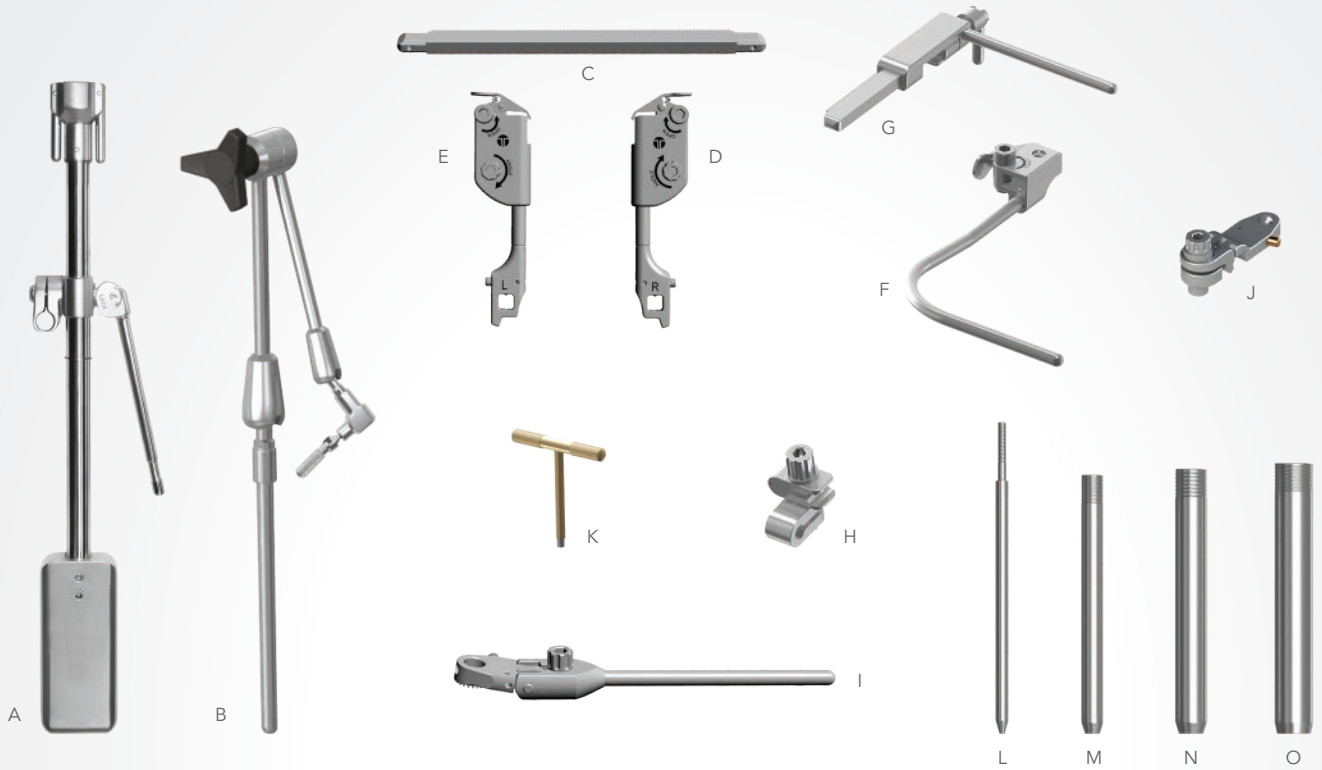
#SL82021

REF	PART #	ITEM DESCRIPTION	QTY
Tray 1			
A	41902ACL	Elite II Rail Clamp with 1 Joint 16"	1
B	42138N	MIS Spine Frame Articulating Arm	1
C	60010	MIS Spine Frame Rack 200mm	1
D	60009	MIS Spine Frame Left Arm	1
E	60008	MIS Spine Frame Right Arm	1
F	47212	MIS Spine Frame U-Bar Add On	1
G	47213	MIS Spine Frame L-Bar Add On	1
H	47205T	¼" Side Clip x ¼" Slide w/Thumb Screw	1
I	SL45003G	S-Lock Quick Angle Handle 6"	1
J	SL45012S	S-Lock Interchangeable Head with ¼" Scissor	1
K	60020	T-Handle	2
	50000MSF	Instrument Case - MIS Spine Frame	1
Tray 2			
L	45831	Dilator #1 - 7mm	1
M	45832	Dilator #2 - 12mm	1
N	45833	Dilator #3 - 17mm	1
O	45834	Dilator #4 - 21mm	1
P	45924R	Caudal/Cephalad Right 22mm x 40mm	1
Q	45924L	Caudal/Cephalad Left 22mm x 40mm	1
R	45925R	Caudal/Cephalad Right 22mm x 50mm	1
S	45925L	Caudal/Cephalad Left 22mm x 50mm	1
T	45926R	Caudal/Cephalad Right 22mm x 60mm	1

(MIS PLA® SYSTEM #SL82021 CONTINUED)

REF	PART #	ITEM DESCRIPTION	QTY
U	45926L	Caudal/Cephalad Left 22mm x 60mm	1
V	45927R	Caudal/Cephalad Right 22mm x 70mm	1
W	45927L	Caudal/Cephalad Left 22mm x 70mm	1
X	45928R	Caudal/Cephalad Right 22mm x 80mm	1
Y	45928L	Caudal/Cephalad Left 22mm x 80mm	1
Z	45929R	Caudal/Cephalad Right 22mm x 90mm	1
1	45929L	Caudal/Cephalad Left 22mm x 90mm	1
2	45930R	Caudal/Cephalad Right 22mm x 100mm	1
3	45930L	Caudal/Cephalad Left 22mm x 100mm	1
4	45931R	Caudal/Cephalad Right 22mm x 110mm	1
5	45931L	Caudal/Cephalad Left 22mm x 110mm	1
6	45932R	Caudal/Cephalad Right 22mm x 120mm	1
7	45932L	Caudal/Cephalad Left 22mm x 120mm	1
8	SL46704AT	PLA Medial/Lateral w/Lip 40mm	1
9	SL46705AT	PLA Medial/Lateral w/Lip 50mm	1
10	SL46706AT	PLA Medial/Lateral w/Lip 60mm	1
11	SL46707AT	PLA Medial/Lateral w/Lip 70mm	1
12	SL46708AT	PLA Medial/Lateral w/Lip 80mm	1
13	SL46709AT	PLA Medial/Lateral w/Lip 90mm	1
14	SL46710AT	PLA Medial/Lateral w/Lip 100mm	1
15	SL46711AT	PLA Medial/Lateral w/Lip 110mm	1
16	SL46712AT	PLA Medial/Lateral w/Lip 120mm	1
17	SL46604ATT	PLA M/L w/Fine Teeth 13½mm x 40mm	1
18	SL46605ATT	PLA M/L w/Fine Teeth 13½mm x 50mm	1
19	SL46606ATT	PLA M/L w/Fine Teeth 13½mm x 60mm	1
20	SL46607ATT	PLA M/L w/Fine Teeth 13½mm x 70mm	1
21	SL46608ATT	PLA M/L w/Fine Teeth 13½mm x 80mm	1
22	SL46609ATT	PLA M/L w/Fine Teeth 13½mm x 90mm	1
23	SL46610ATT	PLA M/L w/Fine Teeth 13½mm x 100mm	1
24	SL46611ATT	PLA M/L w/Fine Teeth 13½mm x 110mm	1
25	SL46612ATT	PLA M/L w/Fine Teeth 13½mm x 120mm	1
	50000PLA	Instrument Case - PLA Blades and Sequential Dilators	1

MIS PLA® System COMPONENTS



POSTERIOR LUMBAR