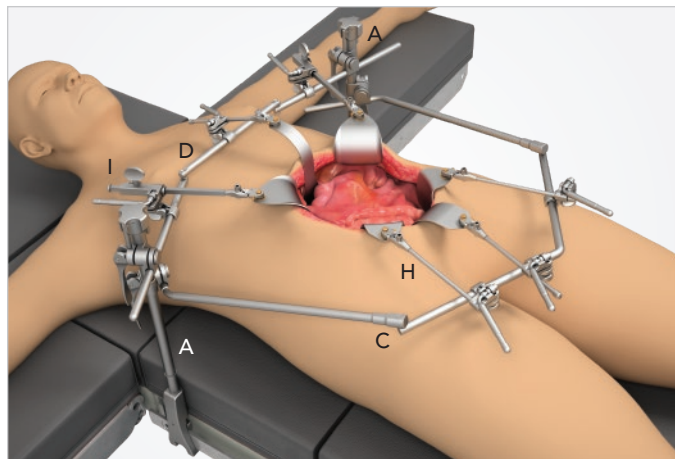


Urologic Oncology System SUGGESTED SET UP

Bilateral Urologic Oncology



Additional suggested set ups shown on page 36.

(UROLOGIC ONCOLOGY SYSTEM #SL82013 CONTINUED)

UROLOGIC ONCOLOGY SYSTEM #SL82013

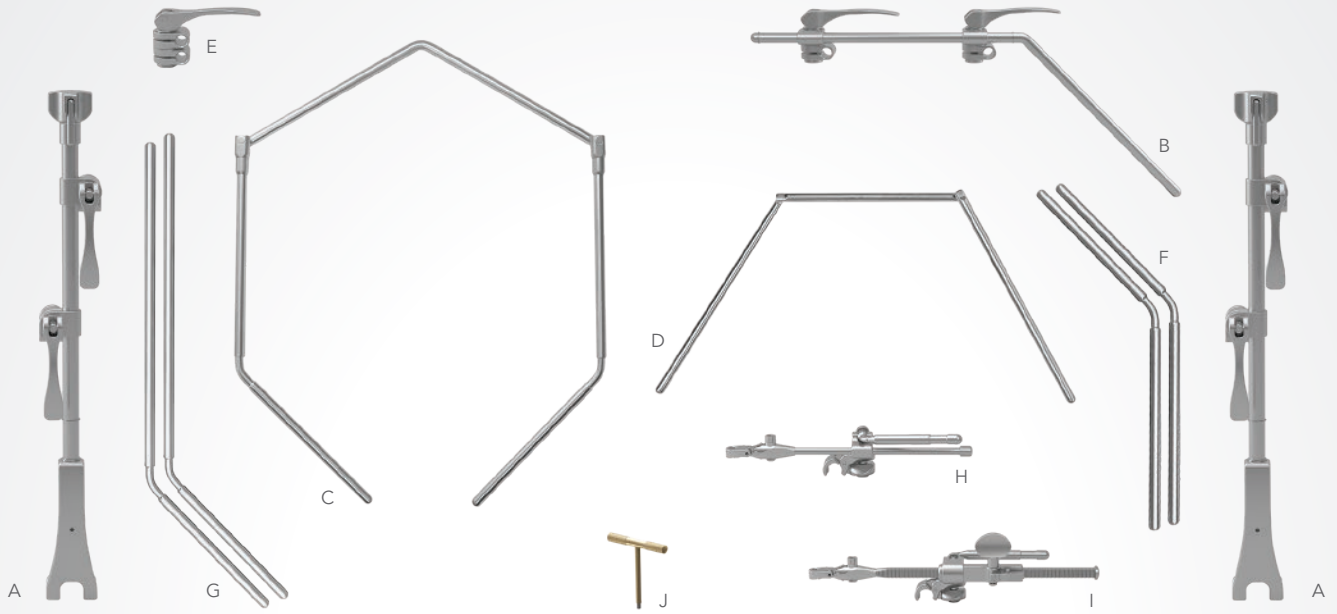
REF	PART #	ITEM DESCRIPTION	QTY
Tray 1			
A	43903AC	Elite III Rail Clamp w/2 Cam Joints 18"	2
B	43900BC	24" Crossbar with 2 Cam Joints	1
C	44112SP	20" Lower Abdominal Bar (14" x 6")	1
	50000BL	Instrument Case (26" x 10" x 5")	1
Tray 2			
D	41900PH	34" Bilateral Crossbar Hinged (11 1/2" x 8 1/2" x 11 1/2")	1
E	43112C	Cam III Joint Serrated 1/2" x 1/2"	2
F	44118N	18" Angled Arm (8" x 10") @ 45°	2
G	44124N	24" Angled Arm (8" x 16") @ 45°	2
H	SL42126WGP	Cam II Clip-on Quick Angle 8"	6
I	SL45006CGP	Micro-Adjustable II Clip-on Quick Angle 10"	2
J	60020	T-Handle	2
	50000G	Instrument Case (23" x 11" x 3 1/2")	1
Tray 3			
K	SL45753AM	Harris Prostate Retractor 8mm (3/8")	1

REF	PART #	ITEM DESCRIPTION	QTY
L	SL46116	Malleable 13mm x 152mm (1/2" x 6")	2
	SL46117	Malleable 13mm x 203mm (1/2" x 8")	2
	SL46118	Malleable 25mm x 203mm (1" x 8")	2
M	SL46122	Malleable 51mm x 203mm (2" x 8")	1
	SL46123	Malleable 38mm x 203mm (1 1/2" x 8")	1
N	SL46124	Malleable 64mm x 254mm (2 1/2" x 10")	2
O	SO46124B	Malleable 102mm x 254mm (4" x 10")	2
P	SL46122V	Malleable Slotted 51mm x 203mm (2" x 8")	2
Q	SL46119C	Concave Round Neck Renal 25mm x 191mm (1" x 7 1/2")	2
R	SO46130	Kelly 76mm x 89mm (3" x 3 1/2")	2
S	SO46136	Fence 102mm x 152mm (4" x 6")	1
T	SL46139	"Y" Bladder 81mm x 216mm (3 1/8" x 8 1/2")	1
	SO46140C	Balfour [small lips] 70mm x 73mm (2" x 3 3/4")	2
	SO46141C	Balfour [small lips] 78mm x 73mm (3" x 3")	2
U	SO46141	Balfour [with lips] 83mm x 73mm (3 1/4" x 3")	2
V	SL46142P	Balfour [with lips] 51mm x 54mm (2" x 2")	2
W	SO46153	Richardson 51mm x 178mm (2" x 7")	2
X	SL46160	Harrington 64mm x 152mm (2 1/2" x 6")	1
Y	SL46174	Deaver 51mm x 127mm (2" x 5")	2
Z	SO46188	St. Marks [with lip] 64mm x 178mm (2 1/2" x 7")	1
1	SL46191	Malleable Finger 152mm (6")	2
2	SL46215	Murphy Blunt 25mm x 13mm (1" x 1/2")	1
3	SO46241B	Wide Balfour 100mm x 61mm (4" x 2 3/8")	1
4	SL46660	Double Angled 25mm x 76mm (1" x 3")	2
	SL46662	Double Angled 13mm x 76mm (1/2" x 3")	2
5	SL46664	Double Angled Bulb 25mm x 64mm (1" x 2 1/2")	1
	50000G	Instrument Case (23" x 11" x 3 1/2")	1

"When you buy a Thompson, you buy it for life."

- Alberto Gómez Portilla, MD, PhD

Urologic Oncology System COMPONENTS



RETRACTOR SYSTEMS