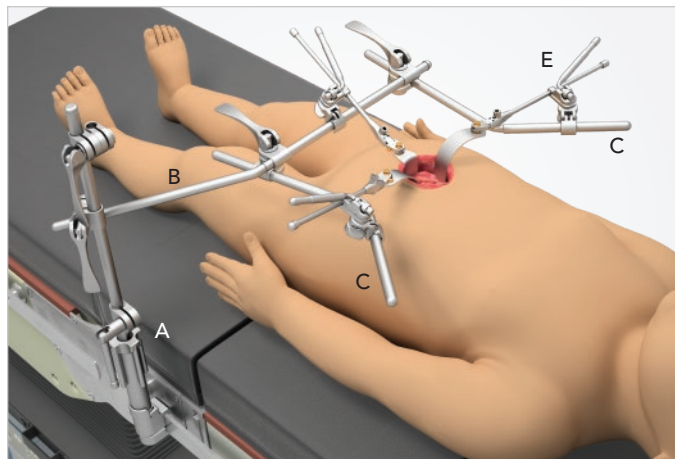


Pediatric System SUGGESTED SET UP

Pediatric Abdominal



“The Thompson Retractor **makes liver transplant easy**. It provides outstanding exposure for pediatric liver transplant, **the best retractor I have seen in my 25 years as a transplant surgeon.**”

- Michael Wachs, MD

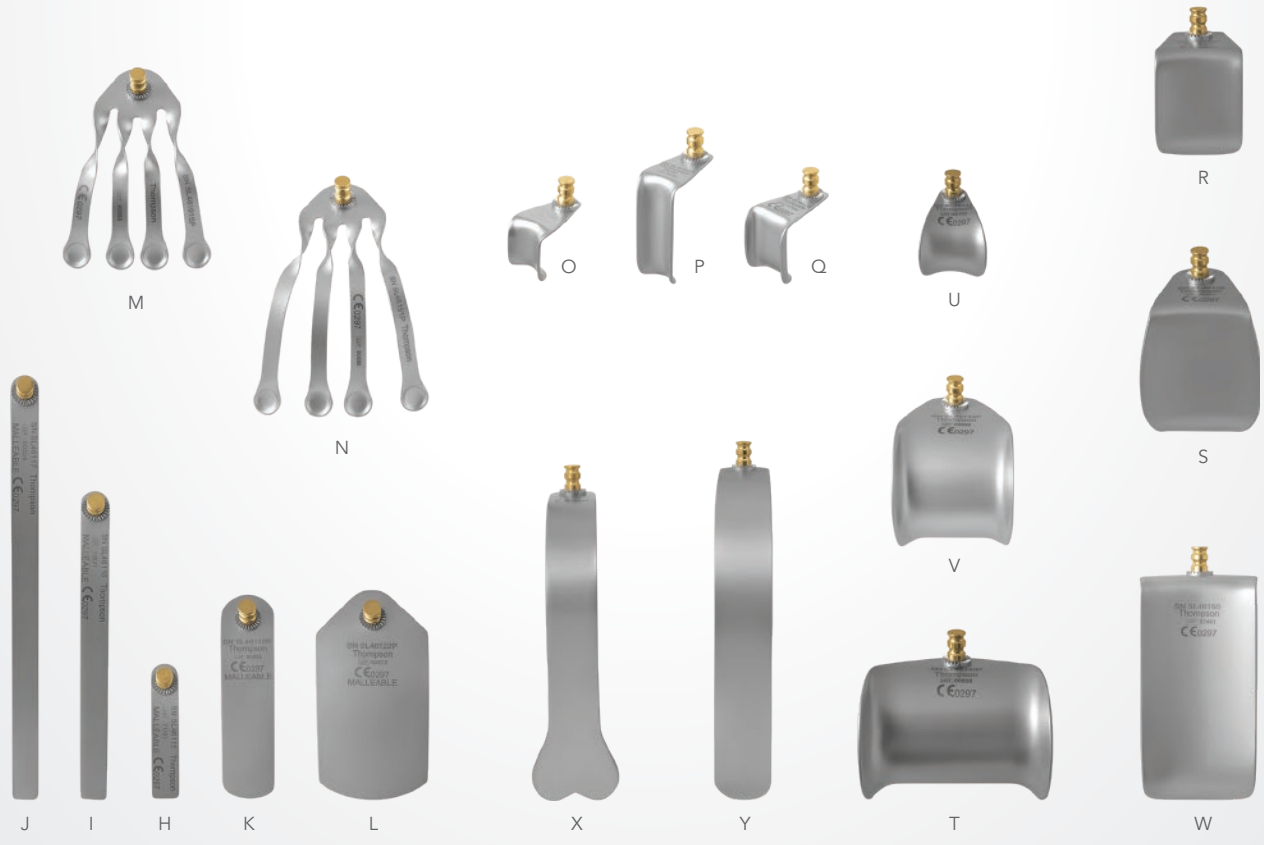
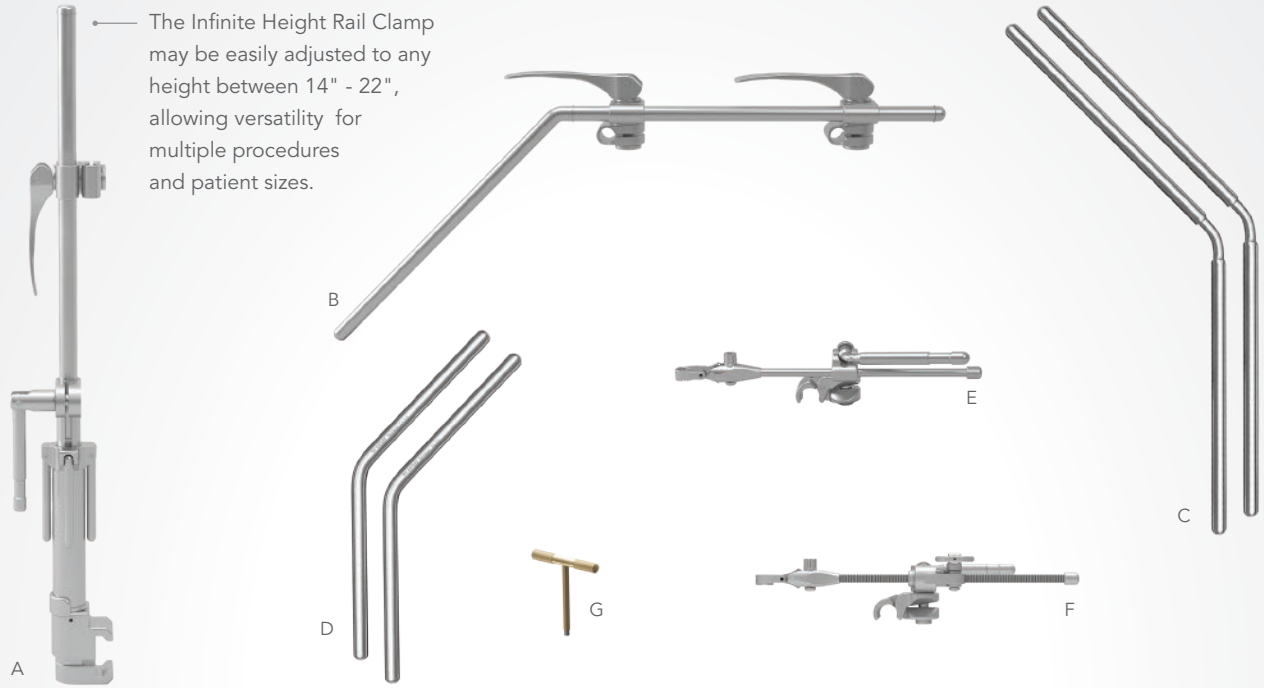
PEDIATRIC SYSTEM

#SL82006

REF	PART #	ITEM DESCRIPTION	QTY
Tray 1			
A	43902IRC	Infinite Height Rail Clamp with 1 Cam III Joint	1
B	43900BC	24" Crossbar with 2 Cam III Joints	1
C	44120	20" Angled Arm (10" x 10")	2
D	44014S	12" Angled Arm (6" x 6")	2
E	SL42126WGP	Cam II Clip-on Quick Angle 8" *	5
F	SL45011CGP	Mini Micro-Adjustable Clip-on Quick Angle 9"	1
G	60020	T-Handle	2
	50000G	Instrument Case - 23" x 11" x 3 1/2"	1
Tray 2			
H	SL46115	Malleable 13mm x 64mm (1/2" x 2 1/2")	2
I	SL46116	Malleable 13mm x 152mm (1/2" x 6")	2
J	SL46117	Malleable 13mm x 203mm (1/2" x 8")	2
K	SL46118P	Soft Malleable 25mm x 102mm (1" x 4")	2
L	SL46122P	Malleable 51mm x 102mm (2" x 4")	2
M	SL46191SP	Malleable Finger 76mm (3")	1
N	SL46191P	Malleable Finger 102mm (4")	1
O	SL46125	Richardson 19mm x 25mm (3/4" x 1")	1
P	SL46125A	Richardson 19mm x 50mm (3/4" x 2")	1
Q	SL46126	Richardson 25mm x 32mm (1" x 1 1/4")	1
R	SL46127	Kelly 38mm x 51mm (1 1/2" x 2")	1
S	SL46128	Kelly 51mm x 64mm (2" x 2 1/2")	1
T	SL46140P	Balfour 76mm x 51mm (3" x 2")	1
U	SL46142	Balfour 32mm x 32mm (1 1/4" x 1 1/4")	2
V	SL46142P	Balfour 51mm x 54mm (2" x 2")	1
W	SL46150	Richardson 51mm x 102mm (2" x 4")	1
X	SL46162P	Harrington 38mm x 127mm (1 1/2" x 5")	1
Y	SL46170	Deaver 25mm x 127mm (1" x 5")	1
	50000G	Instrument Case (23" x 11" x 3 1/2")	1

* For infants: Screw Down Joints (#42125N) and Quick Angle Handles (#SL45003GS) recommended.

Pediatric System COMPONENTS



RETRACTOR SYSTEMS