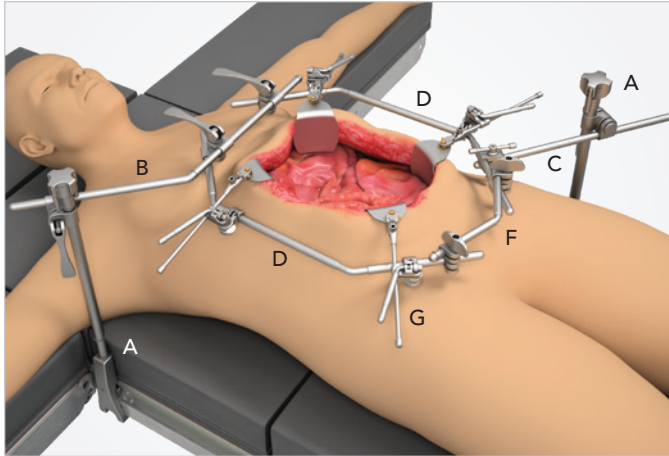


HIPEC System SUGGESTED SET UP

HIPEC



“The Thompson Retractor is of use at all times during cytoreductive surgery with HIPEC and is essential for an optimal result.”

- Paul H. Sugarbaker, MD, FACS, FRCS

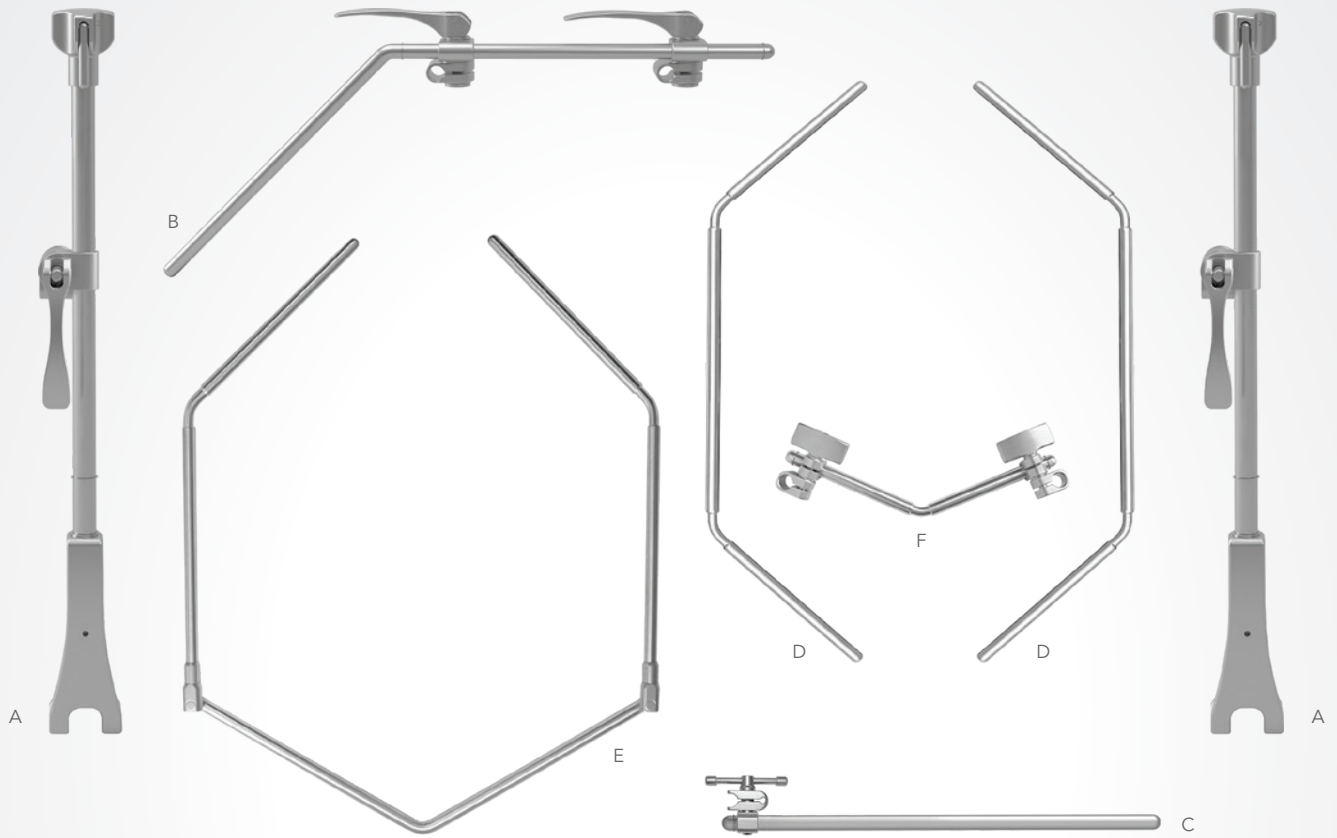
HIPEC SYSTEM

#SL82004

REF	PART #	ITEM DESCRIPTION	QTY
Tray 1			
A	43902AC	Elite III Rail Clamp with 1 Cam Joint 18"	2
B	43900BC	24" Crossbar with 2 Cam III Joints (11" x 13")	1
C	44014C	14" Extension Arm with Clip Joint	1
D	44122DB	22" Double Angled Arm	2
E	44112SP	20" Lower Abdominal Bar (14" x 6")	1
	50000G	Instrument Case (23" x 11" x 3 1/2")	1
Tray 2			
F	44113B	13" Angled Closure Arm (6 1/2" x 6 1/2")	1
	44118B	18" Angled Closure Arm (9" x 9")	1
G	SL42126WGP	Cam II Clip-on Quick Angle 8"	6
	SL42126WGLP	Cam II Clip-on Quick Angle 10"	2
H	SL45006CGP	Micro-Adjustable II Clip-on Quick Angle 10"	2
I	60020	T-Handle	2
J	SO46129	Kelly 64mm x 76mm (2 1/2" x 3")	6
K	SO46140C	Balfour [small lips] 70mm x 73mm (2" x 3 3/4")	2
L	SL46174	Deaver 51mm x 127mm (2" x 5")	2
M	SL46191	Malleable Finger 152mm (6")	1
N	SO46170B	Non-Slip Balfour R 77mm x 66mm (3" x 2 1/2")	1
O	SO46171B	Non-Slip Balfour L 77mm x 66mm (3" x 2 1/2")	1
P	SO46188	St Marks [with lip] 64mm x 178mm (2 1/2" x 7")	1
	50000G	Instrument Case (23" x 11" x 3 1/2")	1

HIPEC System COMPONENTS

RETRACTOR SYSTEMS



Anatomically designed Non-Slip Balfour blades reduce blade slippage during costal margin retraction.

