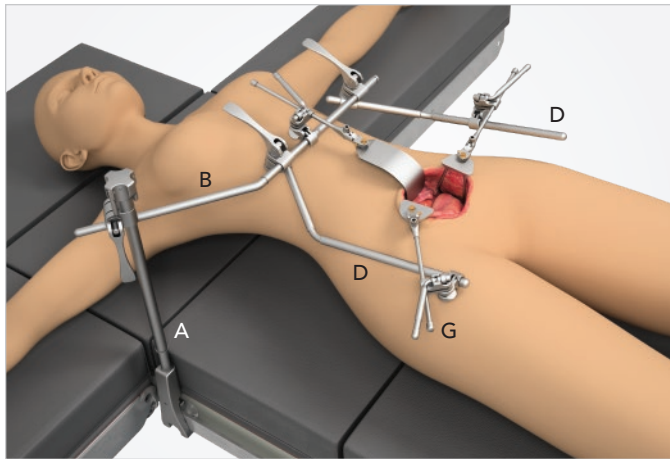
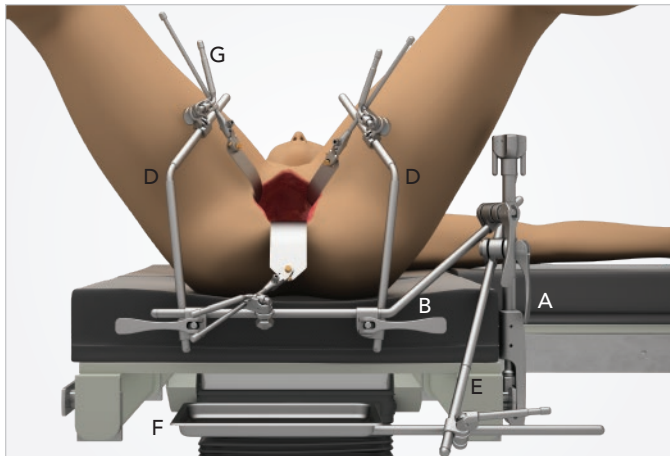


GYN System SUGGESTED SET UPS

Abdominal GYN



Vaginal GYN

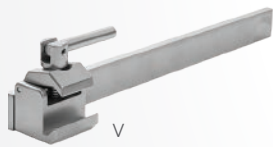
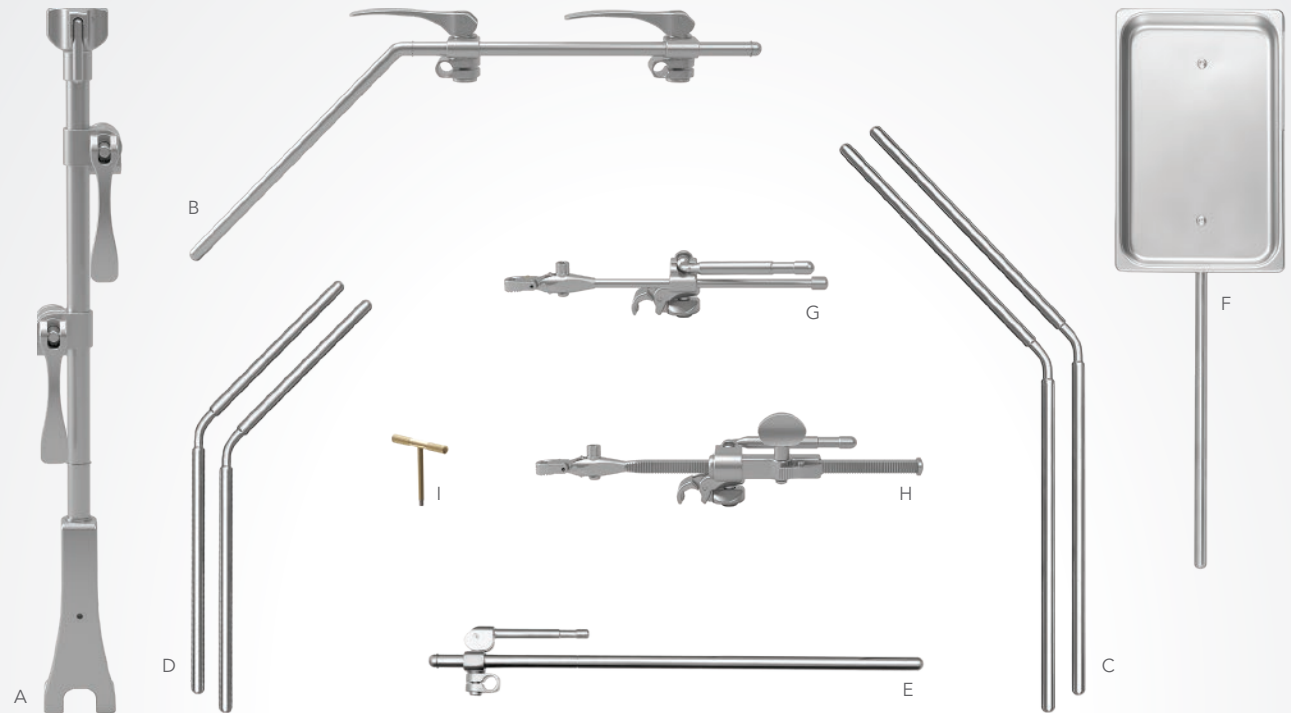


GYN SYSTEM

#SL82010

REF	PART #	ITEM DESCRIPTION	QTY
Tray 1			
A	43903AC	Elite III Rail Clamp with 2 Cam Joints 18"	1
B	43900BC	24" Crossbar with 2 Cam III Joints	1
C	44124W	24" Angled Arm (11" x 13") @ 45°	2
D	44118N	18" Angled Arm (8" x 10") @ 45°	2
E	44118C	Straight Arm 18" with 1 Cam Joint	1
	50000G	Instrument Case (23" x 11" x 3 1/2")	1
Tray 2			
F	41933	Hysterecomy Tray	1
G	SL42126WGP	Cam II Clip-on Quick Angle 8"	3
H	SL45006CGP	Micro-Adjustable II Clip-on Quick Angle 10"	2
I	60020	T-Handle	2
J	SL46174	Deaver 51mm x 127mm (2" x 5")	1
K	SL46180	Heany 25mm x 102mm (1" x 4")	1
L	SL46160	Harrington 64mm x 152mm (2 1/2" x 6")	1
M	SL46663	Double Angled 13mm x 70mm (1/2" x 2 3/4")	2
N	SL46660	Double Angled 25mm x 76mm (1" x 3")	2
O	SL46118A	Malleable 25mm x 254mm (1" x 10")	2
P	SL46118P	Malleable 25mm x 102mm (1" x 4")	2
Q	SL46118	Malleable 25mm x 203mm (1" x 8")	2
R	SL46122	Malleable 51mm x 203mm (2" x 8")	2
S	SO46135	Fence 102mm x 127mm (4" x 5")	1
T	SL46150	Richardson 51mm x 102mm (2" x 4")	1
U	SL46143	Fenestrated 44mm x 89mm (1 3/4" x 3 1/2")	2
	50000G	Instrument Case (23" x 11" x 3 1/2")	1
V	5844	Rail Extender 15" with 1 Power Rail Clamp	1

GYN System COMPONENTS



RETRACTOR SYSTEMS