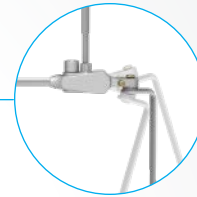


Free Angle Handle provides tactile blade positioning

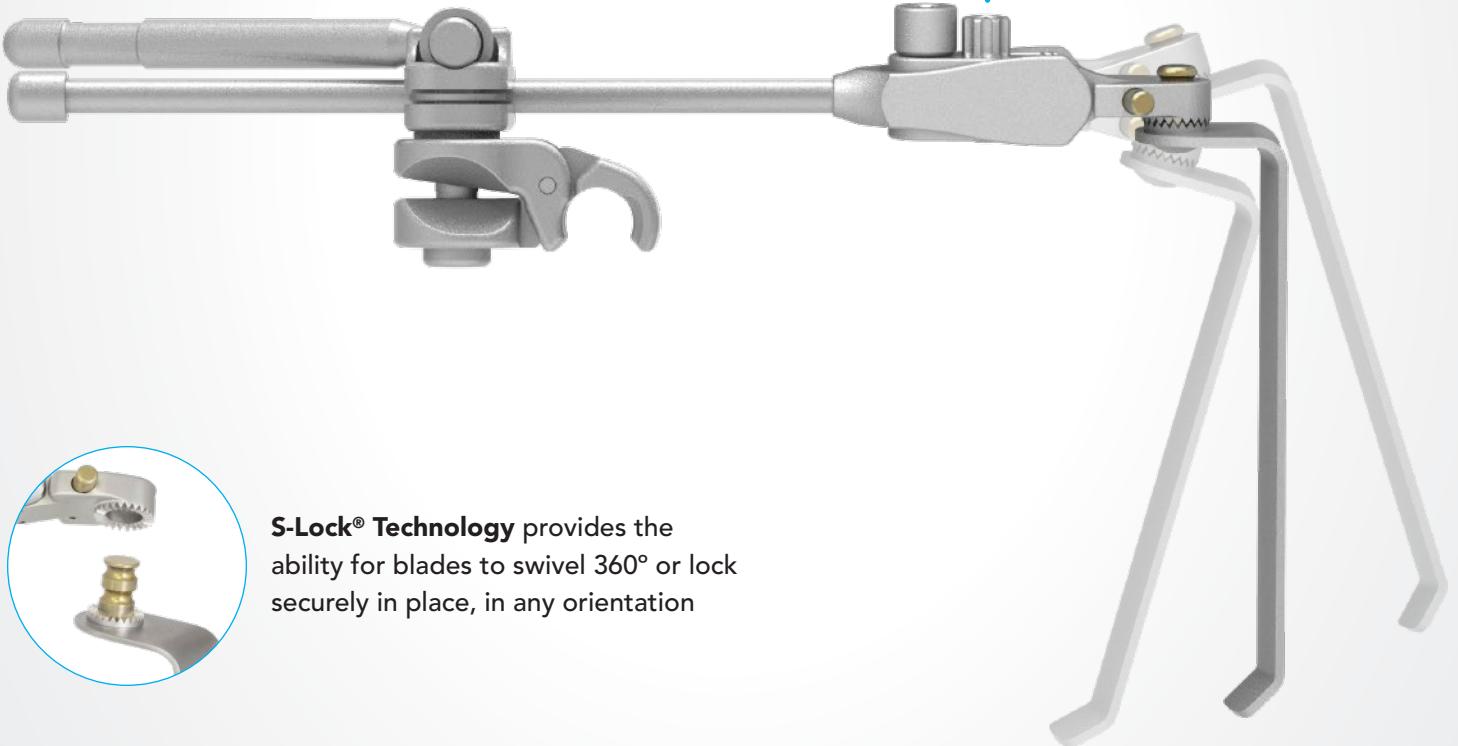


1. Tactile blade positioning



2. Quick Angle micro-adjustments

Dual Angle Handle also allows for precise micro-adjustments to angle of blades



S-Lock® Technology provides the ability for blades to swivel 360° or lock securely in place, in any orientation

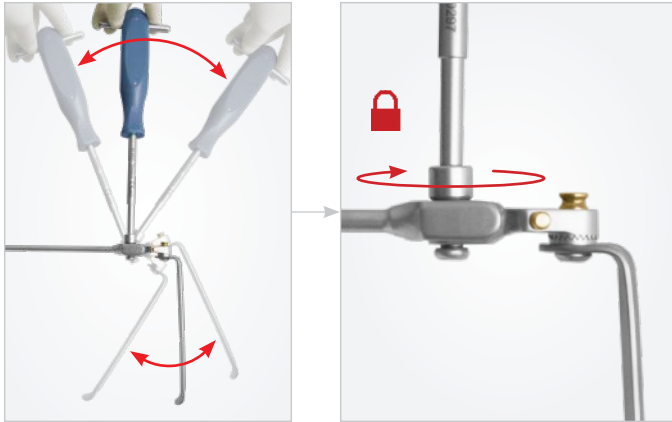
i ORDERING INFO:

- Cam II Clip-on Free Angle 8" #SL42126WFP
- Cam II Clip-on Dual Angle 8" #SL42126WDP
- Hex Tool with T-Handle #60021

Usage Instructions on next page...

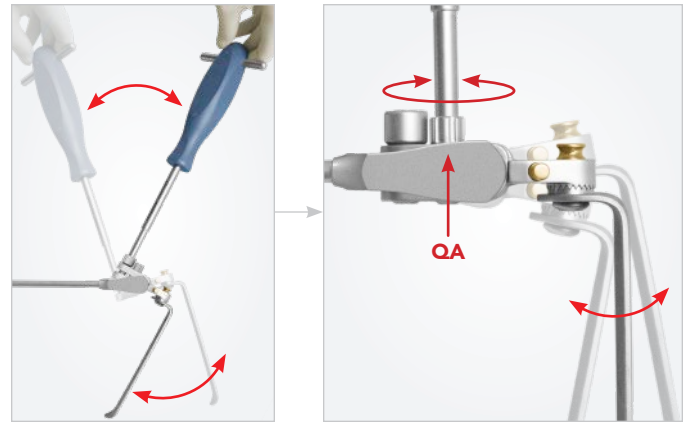
FREE ANGLE HANDLES

Blades may be angled freely by placing the hex tool in the free angle mechanism and positioning blade in desired location. Tighten the mechanism to secure blade in place by turning the hex tool clockwise. This may be done before or after handle is secured to the frame.



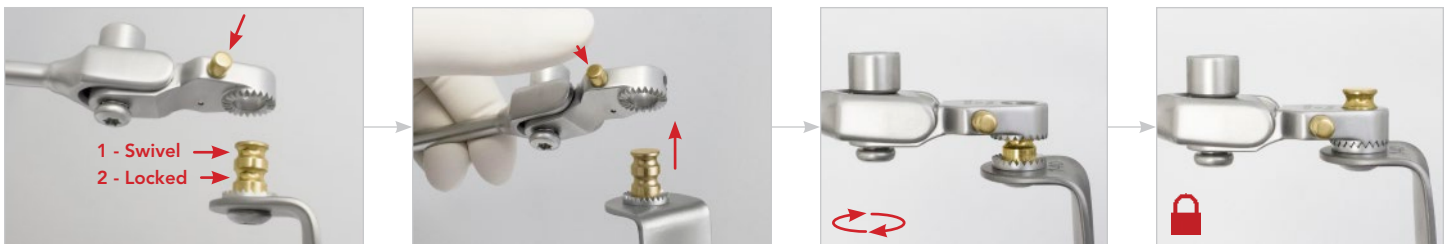
DUAL ANGLE HANDLES

After positioning and tightening blade using the Free Angle mechanism as described in the previous step, additional precise angling may be achieved by using the hex tool to rotate the ribbed Quick Angle mechanism (QA) up or down.



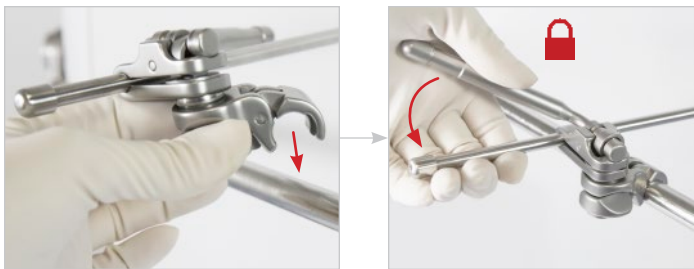
S-LOCK® HANDLES + BLADES

Attach blade to handle by pushing plunger and inserting blade nipple. Push plunger to release blade and switch between 'swivel' and 'locked' positions.



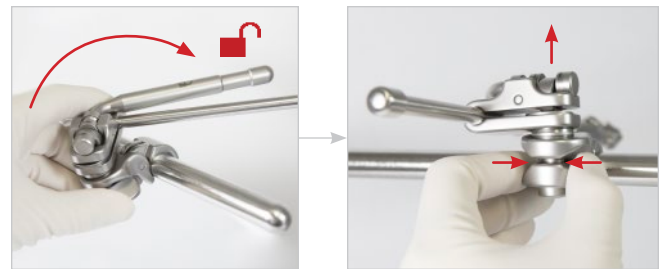
CLIP-ON HANDLE ATTACHMENT

With joint in unlocked position, clip to frame in desired location, position blade in the incision, and flip the cam joint handle to lock in place.



CLIP-ON HANDLE REMOVAL

Flip cam joint handle to unlocked position, pinch back of cam joint with thumb and index finger, and gently lift up off of arm.



Thompson
SURGICAL INSTRUMENTS
10341 East Cherry Bend Road
Traverse City, Michigan 49684
phone: 231.922.0177
fax: 231.922.0174
thompsonsurgical.com

EC REP

Emergo Europe
Prinsessegracht 20
2514 AP The Hague
THE NETHERLANDS

CE 0297

© 2019 Thompson Surgical Instruments, Inc. Traverse City, Michigan.

® S-Lock®, PLA®, and the Thompson "T Circle" logomark are Registered Trademarks of Thompson Surgical Instruments, Inc.
Patents: US4971038, US5025780, US5888197, US5897087, US5902233, US5984865, US6033363, US6416465, US6511423, US7338442, US7749163, US8257255, US8360971, US8617064, US9872675. Other patents pending.

Symbol Legend:

Manufacturer	Authorized EC Rep	CE Mark	Warnings / Precautions	Non-Sterile

Rev A
042419
cofadassum

Made In USA