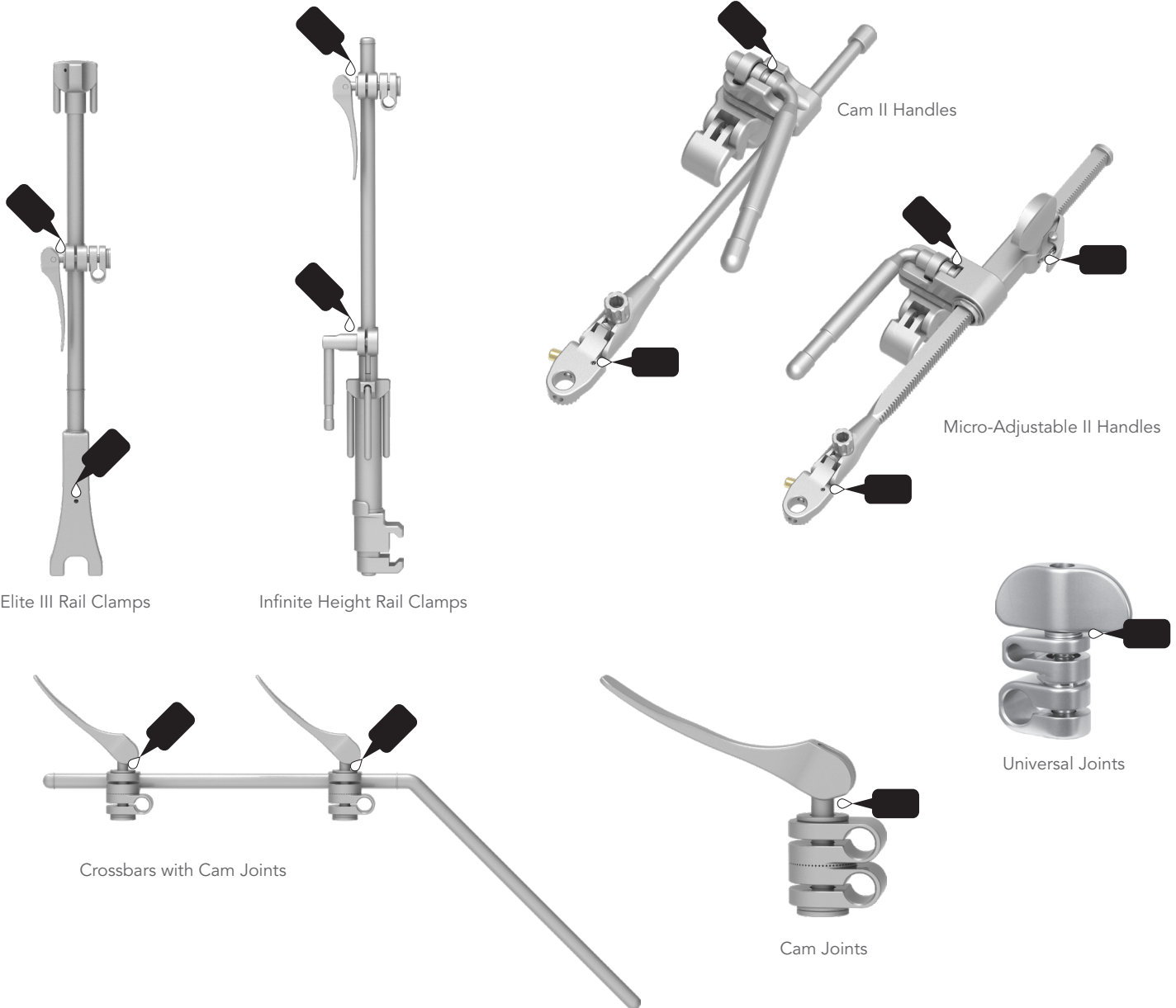


## THOMPSON RETRACTOR LUBRICATION INSTRUCTIONS

***In order to keep your Thompson Retractor components working properly, LUBRICATE ALL MOVING MECHANISMS on instruments with a steam penetrable, water-soluble product after every cleaning cycle, prior to sterilization.***

Examples of areas which may require special attention include the features pictured below. Please refer to individual part laser markings. Automated lubrication application processes may not be effective.



**Thompson**  
SURGICAL INSTRUMENTS  
10341 East Cherry Bend Road  
Traverse City, Michigan 49684  
phone: 231.922.0177  
fax: 231.922.0174  
[thompsonsurgical.com](http://thompsonsurgical.com)

EC REP

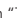
**Emergo Europe**  
Prinsessegracht 20  
2514 AP The Hague  
THE NETHERLANDS

**CE 0297**

For a Free Trial Call **1-800-227-7543** \*

\* Free trial valid for U.S. customers only. Customers outside the U.S.A., please call +1-231-922-0177 for availability.

© 2020 Thompson Surgical Instruments, Inc.

® S-Lock®, PLA®, and the Thompson "T Circle" logomark  are Registered Trademarks of Thompson Surgical Instruments, Inc.  
Patents: tpat.com

Rev D  
073120  
dc lub

**Made In  
USA**