

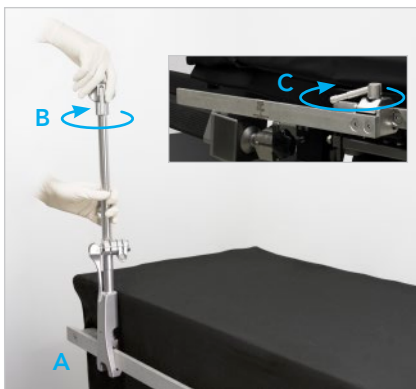
Femur Elevator

Consistent Femur Elevation

The Thompson Retractor Femur Elevator uses a sterile mount Elite Rail Clamp to securely attach to the OR table, providing stable elevation of the femur, eliminating the need for extra staff. The Femur hook and Micro-Adjustable handle allow for consistent and precise positioning.



The Femur Elevator provides consistent, stable, and controlled exposure to the femur during hip procedure.



Step 1: Rail Clamp

Open rail clamp jaw and place over the sterile drapes (A).

Rotate the top knob clockwise to tighten (B), utilizing the attached hanging handles for leverage when needed.

For Hana® Table compatibility, add a 20" Rail Extender (#41938) to the table before attaching rail clamp.

To attach, open jaw and place over the sterile drapes. Rotate the knob clockwise to tighten (C).



Step 2: Arm

Open the rail clamp cam joint and insert straight arm (D).

Position straight arm and flip the cam joint handle to lock in place (E).



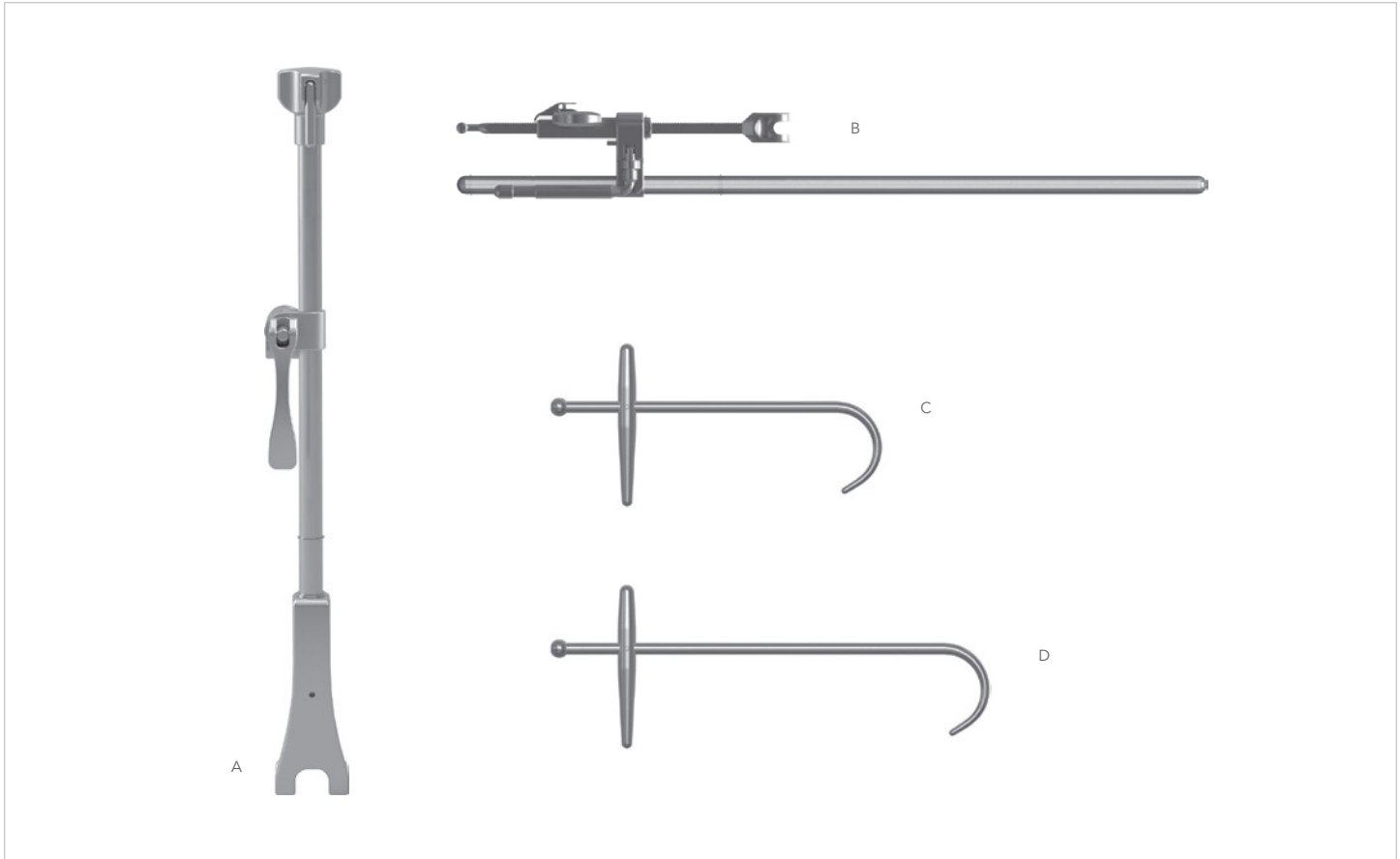
Step 3: Hook

Position Elevator Handle and lock in place by closing the joint (F).

Use the T-handle at proximal end of the femur hook (G) to position hook in place. Insert ball into elevator arm handle (H) to hold in place, hands-free.

If additional retraction is necessary, utilize the micro-adjustable handle by turning the knob to retract further (I).

Press pawl to release retraction (J).



FEMUR ELEVATOR SYSTEM

#90025

REF	QTY	ITEM DESCRIPTION	PART #
A	1	Elite III Rail Clamp with 1 Cam Joint 18"	43902AC
B	1	25" Straight Arm with Elevator Handle	44301
C	1	Femur Hook 9"	44309
D	1	Femur Hook 12"	44312
	1	Instrument Case 26" x 10" x 5"	50000BL

i KIT NOTICE
Femur Elevator Kit may be used as a stand-alone retractor. Hip System not required for use.

i FRAME NOTICE
Add a Rail Extender (#41938) for compatibility with Hana® tables or leg positioning systems such as the Arch system.

Thompson
SURGICAL INSTRUMENTS
10341 East Cherry Bend Road
Traverse City, Michigan 49684
phone: 231.922.0177
fax: 231.922.0174
thompsonsurgical.com

EC REP Emergo Europe
Prinsessegracht 20
2514 AP The Hague
THE NETHERLANDS

* Free trial valid for U.S. customers only.

© 2020 Thompson Surgical Instruments, Inc.

® S-Lock®, PLA®, and the "T Circle" logomark are Registered Trademarks of Thompson Surgical Instruments, Inc.
Patents: trpat.com

Rev F
010820
hipfe

CE0297

Made In USA