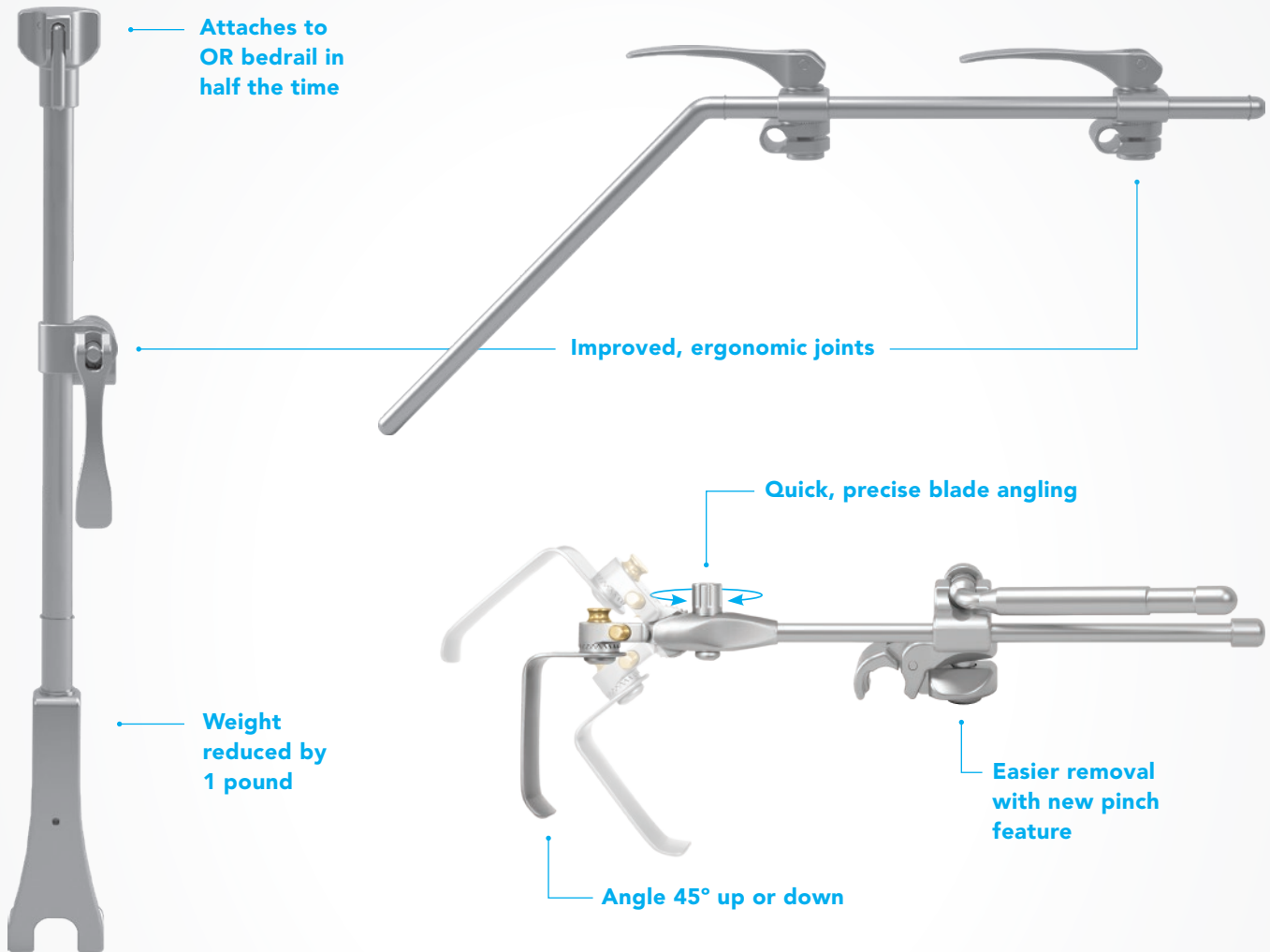


# Thompson Retractor

Uncompromised Exposure™

## NEW Elite III Rail Clamps + Unilateral Crossbar + Quick Angle Handles



“The Elite III is a lot easier, and quicker, to secure. There is significant improvement to how it engages the rail.”

- Joseph C. Babrowicz, Jr., MD



### NOTE:

All generations of frame components are cross-compatible.

**Thompson**  
SURGICAL INSTRUMENTS

Visit us online: [thompsonsurgical.com](http://thompsonsurgical.com)

For a Free Trial Call **1-800-227-7543** \*

\* Free trial valid for U.S. customers only. Customers outside the U.S.A., please call +1-231-922-0177 for availability.  
© 2018 Thompson Surgical Instruments, Inc. Traverse City, Michigan.

Rev B  
040518  
dc eiiiqauss

**Made In  
USA**