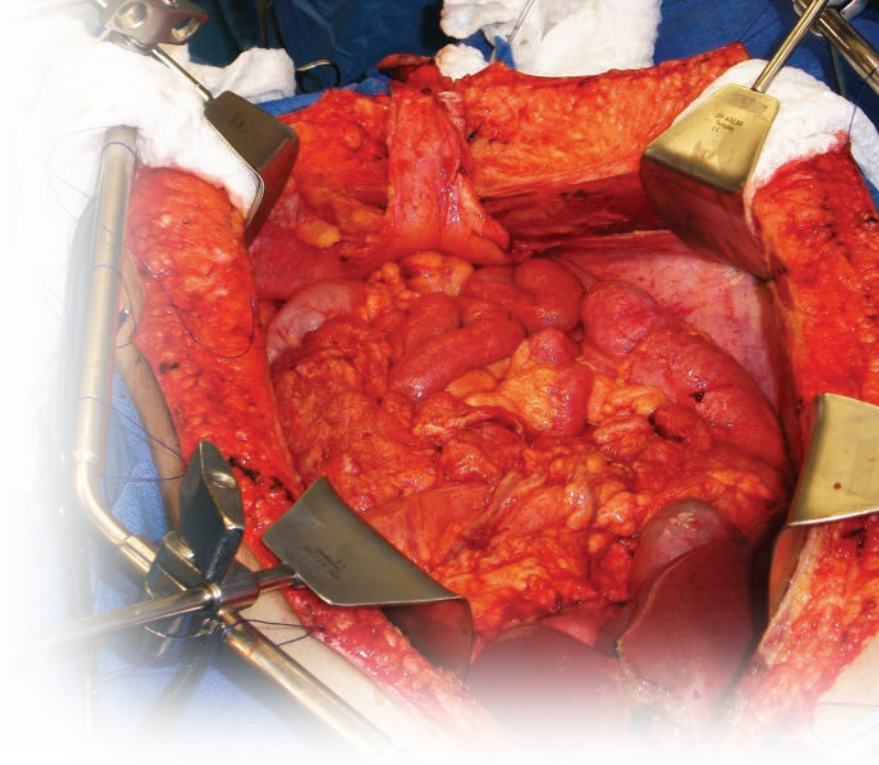


Thompson Retractor

HIPEC Retractor System

Uncompromised Oncology Exposure

The Thompson Retractor provides Uncompromised Exposure for HIPEC treatment. Reputed for its rigidity, versatility, and flexibility, it has been utilized in the common open-abdomen HIPEC treatment or "Coliseum Technique" as pioneered by Dr. Paul Sugarbaker (Washington Cancer Center, Washington D.C.), and in the "Open Abdomen-Closed" HIPEC treatment technique as pioneered by Dr. Patrick Rat (University Hospital of Dijon, France).



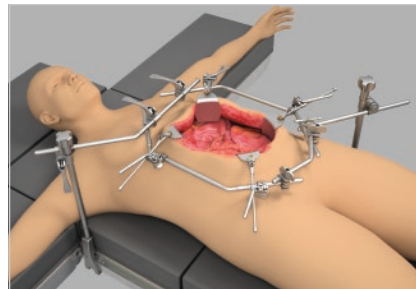
"The Thompson Retractor is of use at all times during cytoreductive surgery with HIPEC and is essential for an optimal result."

- Paul H. Sugarbaker, MD, FACS, FRCS



Micro-Adjustable Strength

Micro-adjustable mechanism allows strong, controlled retraction of tissue.



Bilateral Stability

Strong, rigid bilateral setup provides controlled exposure for all patient sizes.



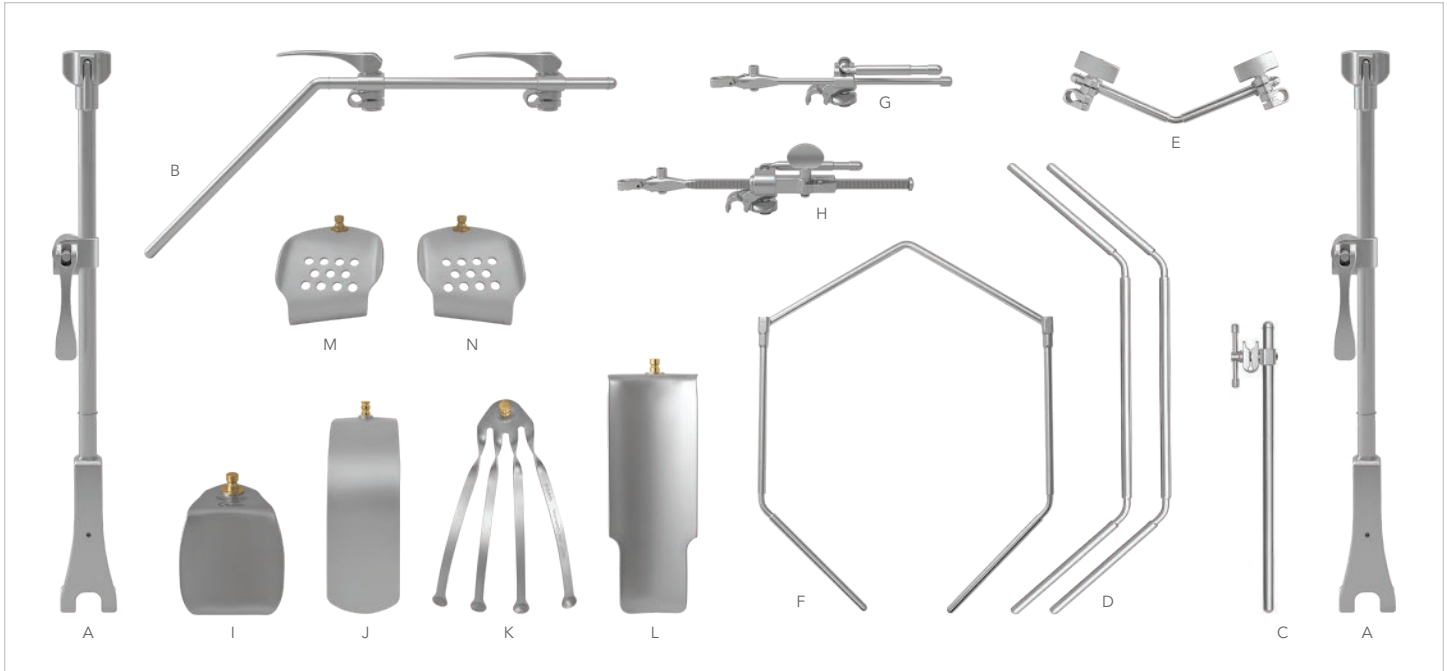
Unilateral Option

Components may be set up unilaterally for general surgery exposures.



SYSTEM NOTICE:

HIPEC disposable kit not available from Thompson Surgical.



HIPEC SYSTEM

#SL82004

REF	QTY	ITEM DESCRIPTION	PART #
A	2	Elite III Rail Clamp with 1 Cam Joint 18"	43902AC
B	1	Crossbar with 2 Cam Joints 24"	43900BC
C	1	Extension Arm 14" with Clip Joint	44014C
D	2	Double Angled Arm 22"	44122DB
E	1	Angled Closure Arm 13" (6 1/2" x 6 1/2")	44113B
	1	Angled Closure Arm 18" (9" x 9")	44118B
F	1	Lower Abdominal Bar 20" (14" x 6")	44112SP
G	6	Cam II Clip-on Quick Angle 8"	SL42126WGP
	2	Cam II Clip-on Quick Angle 10"	SL42126WGLP
H	2	Micro-Adjustable II Clip-on Quick Angle 10"	SL45006CGP

REF	QTY	ITEM DESCRIPTION	PART #
	2	T-Handle	60020
I	6	Kelly 64mm x 76mm (2 1/2" x 3")	SO46129
J	2	Deaver 51mm x 127mm (2" x 5")	SL46174
K	1	Malleable Finger 152mm (6")	SL46191
L	1	St Marks [with lip] 64mm x 178mm (2 1/2" x 7")	SO46188
M	1	Non-Slip Balfour R 77mm x 66mm (3" x 2 1/2")	SO46169B
N	1	Non-Slip Balfour L 77mm x 66mm (3" x 2 1/2")	SO46168B
	2	Instrument Case	50000G



Visit us online: thompsonsurgical.com

For a Free Trial Call **1-800-227-7543** *

* Free trial valid for U.S. customers only. Customers outside the U.S.A., please call +1-231-922-0177 for availability.

© 2018 Thompson Surgical Instruments, Inc. Traverse City, Michigan.

© S-Lock®, PLA®, and the "T Circle" logomark are Registered Trademarks of Thompson Surgical Instruments, Inc.

Patents: US4971038, US5025780, US5888197, US5897087, US5902233, US5984865, US6033363, US6416465, US6511423, US7338442, US7749163, US8257255, US8360971, US8617064
Other patents pending.

Rev A
010818
hipecss

