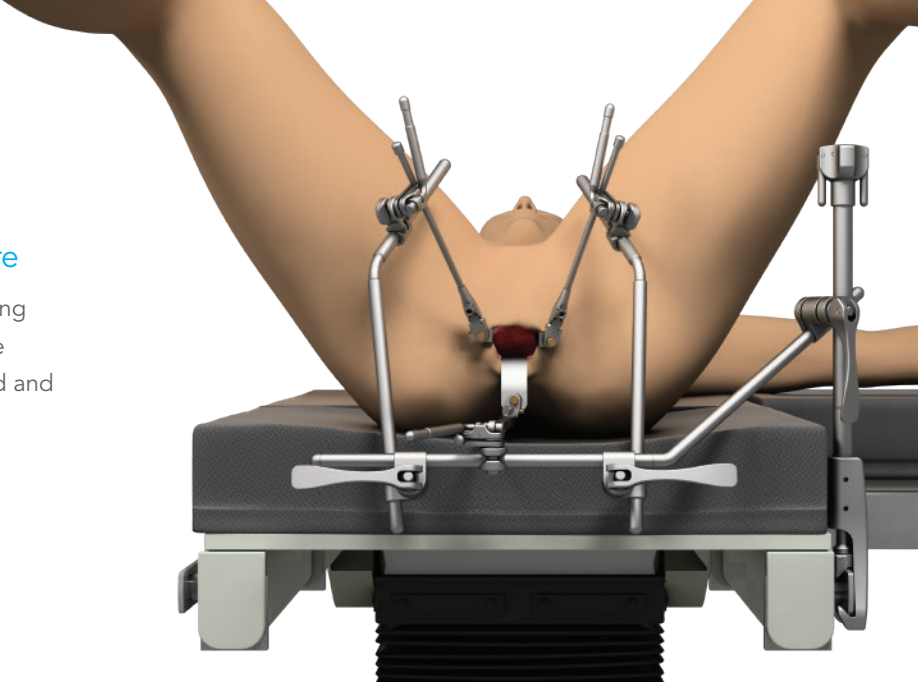


Thompson Retractor

Colon / Rectal System

Uncompromised Colon and Rectal Exposure

The Thompson Colon / Rectal System replaces self-retaining and disposable retractors with a versatile, low profile table mounted retractor. Each blade is independently controlled and adjustable for Uncompromised Exposure.



"Thompson Surgical provides the most hassle-free, versatile retractor.

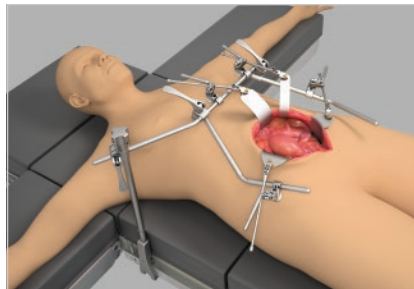
For those complex, difficult procedures, as well as the routine, its ease of setup, strength and use, as well as lack of constant readjustment, always provides me reliable and safe exposure."

- Michael Nizzi, DO, FACOS



Quick Angle Handles

Quickly and precisely angle blades 45° up or down, while the low profile design keeps handles out of the way.



Versatile Set Ups

Frame adapts for Lloyd-Davies, supine, and prone jack-knife positions.



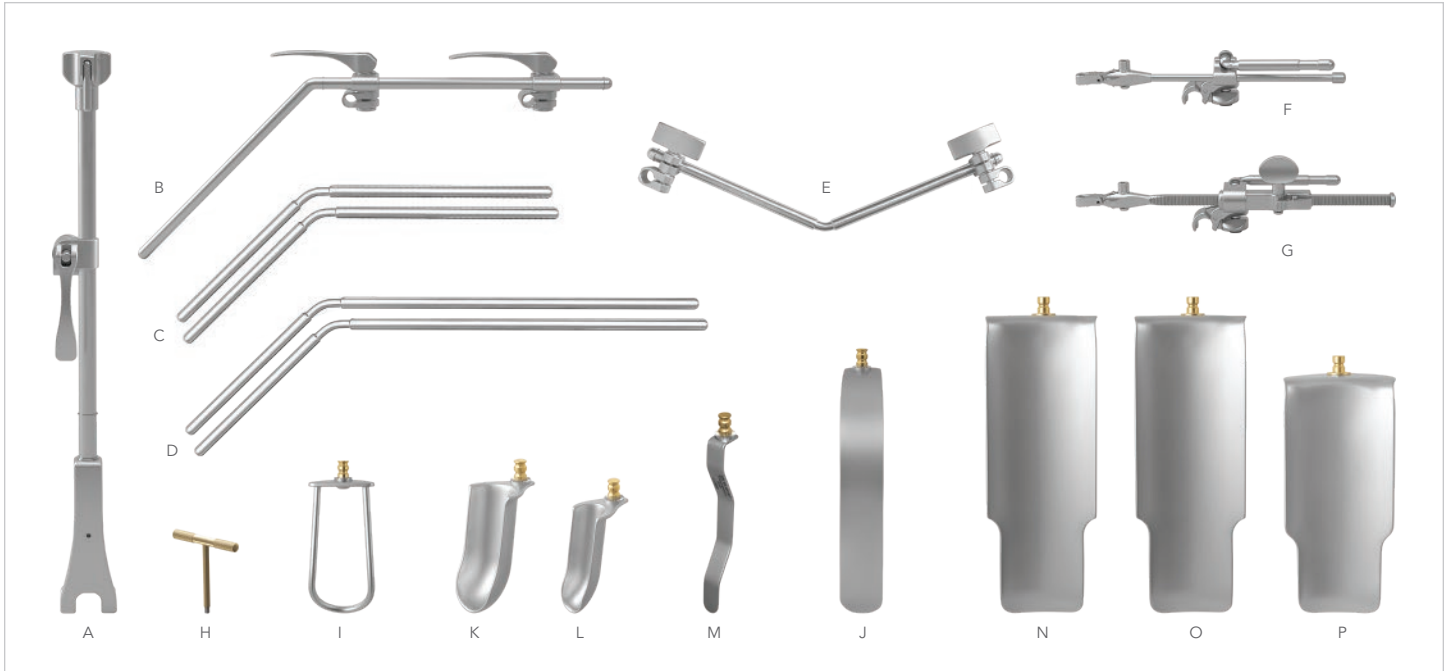
S-Lock® Technology

S-Lock technology reduces unwanted blade swivel and enables precise blade placement. Switch from swivel to locked with the push of a button.



SYSTEM NOTICE:

Rail Extenders also available, contact us for information.



COLON / RECTAL SYSTEM

#SL82002

REF	QTY	ITEM DESCRIPTION	PART #
A	1	Elite III Rail Clamp with 1 Cam Joint 18"	43902AC
B	1	Crossbar with 2 Cam Joints 24" (11" x 13")	43900BC
C	2	18" Angled Arm (8" x 10") @ 45°	44118N
D	2	24" Angled Arm (8" x 16") @ 45°	44124N
E	1	Angled Closure Arm 18" (9" x 9")	44118B
F	3	Cam II Clip-on Quick Angle 8"	SL42126WGP
G	2	Micro-Adjustable II Clip-on Quick Angle 10"	SL45006CGP
H	2	T-Handle	60020
I	2	Fenestrated 44mm x 89mm (1 3/4" x 3 1/2")	SL46143

REF	QTY	ITEM DESCRIPTION	PART #
J	2	Deaver 25mm x 127mm (1" x 5")	SL46170
K	1	Hill-Ferguson 32mm x 76mm (1 1/4" x 3")	SL46185
L	1	Hill-Ferguson 25mm x 64mm (1" x 2 1/2")	SL46186
M	2	Rectal Blade 13mm x 117mm (1/2" x 4 1/2")	SL46187
N	1	St. Marks [no lip] 64mm x 178mm (2 1/2" x 7")	SO46187A
O	1	St. Marks [with lip] 64mm x 178mm (2 1/2" x 7")	SO46188
P	1	St. Marks [with lip] 64mm x 140mm (2 1/2" x 5 1/2")	SO46189
	2	Instrument Case	50000G



Visit us online: thompsonsurgical.com

For a Free Trial Call **1-800-227-7543** *

* Free trial valid for U.S. customers only. Customers outside the U.S.A., please call +1-231-922-0177 for availability.

© 2018 Thompson Surgical Instruments, Inc. Traverse City, Michigan.

© S-Lock®, PLA®, and the "T Circle" logomark are Registered Trademarks of Thompson Surgical Instruments, Inc.

Patents: US4971038, US5025780, US5888197, US5897087, US5902233, US5984865, US6033363, US6416465, US6511423, US7338442, US7749163, US8257255, US8360971, US8617064

Other patents pending.

Rev A
010818
colrss

