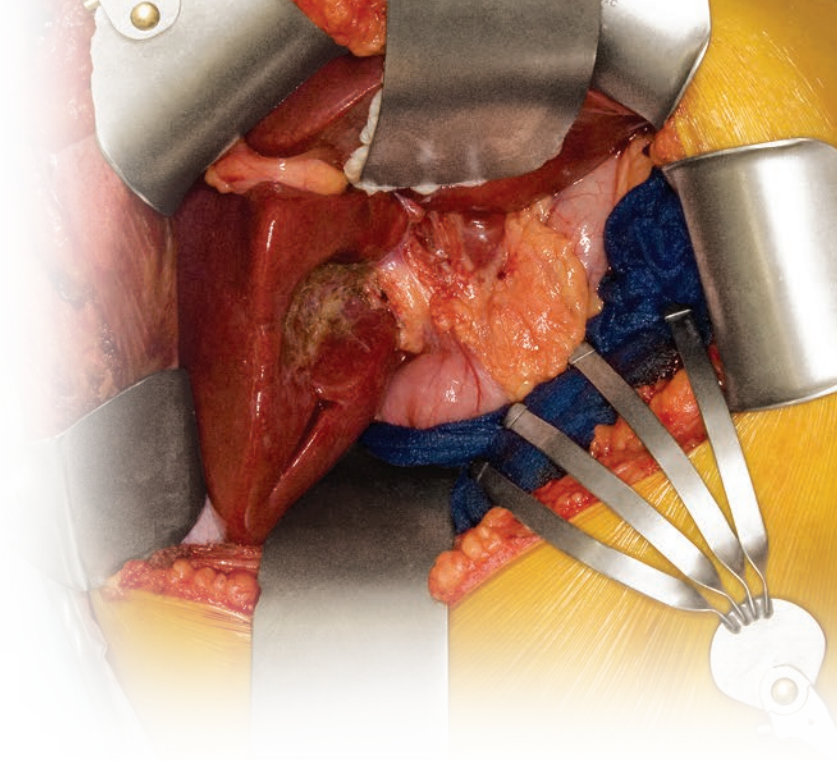


# Thompson Retractor

## Liver Transplant/Resection System

### Uncompromised Exposure for Liver Transplant/Resection

Utilizing a bilateral retractor frame set up, the Thompson Retractor provides surgeons with the ability to obtain stable, versatile retraction for liver transplants, liver resections, oncology, and obesity cases. Combined with Thompson Retractor's expansive blade selection designed specifically for each operation, the bilateral set up offers multi-planed retraction and unlimited flexibility for the most complex abdominal and pelvic cases.



*"The Thompson Liver Transplant/Resection System is the best retractor system available."*

**- Michael Angelis, MD**



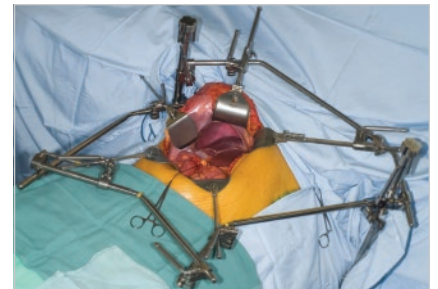
#### **S-Lock® Technology**

S-Lock technology reduces unwanted blade swivel and enables precise blade placement. Switch from swivel to locked with the push of a button.



#### **Micro-Adjustable Technology**

Patented Micro-Adjustable Handles enable increased leverage and precise blade retraction with micro-adjustability.



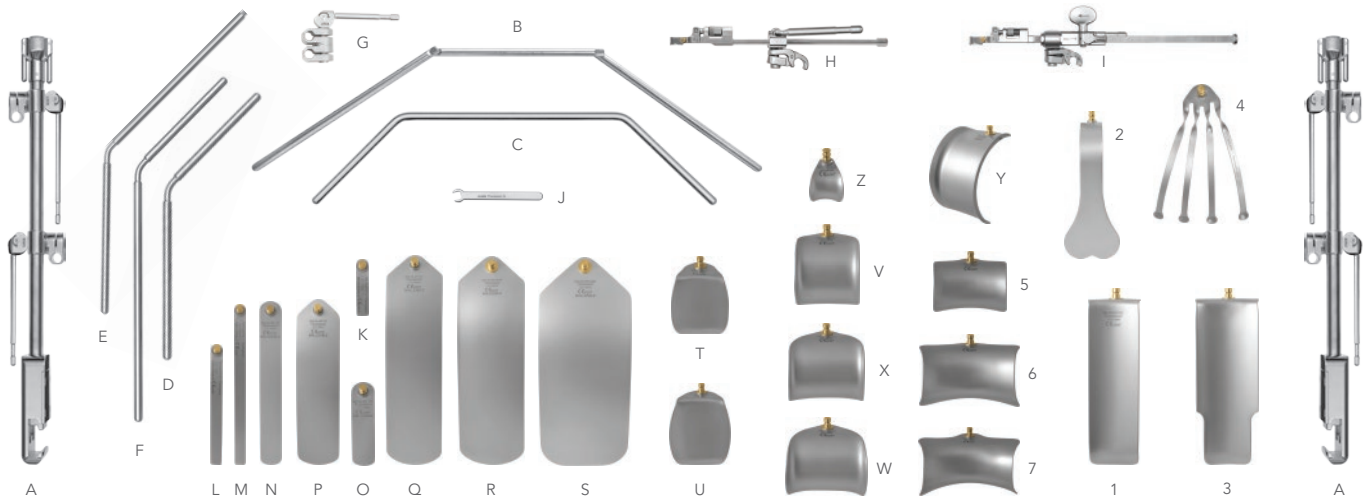
#### **Multi-Dimensional Retraction**

The Thompson Retractor's versatile frame components allow for multiple planes of retraction, while also conforming to the patient's anatomy.



#### **SYSTEM NOTICE:**

Non-S-Lock system still available, but may require a longer lead time. Please call for more information.



**S-LOCK LIVER TRANSPLANT / RESECTION SYSTEM**

**#SL91034A**

REF	QTY	ITEM DESCRIPTION	PART #
A	2	Elite II Rail Clamp with 2 Cam Joints 18"	41903AC
B	1	34" Bilateral Crossbar Hinged (11 1/2" x 8" x 11 1/2")	41900PH
C	1	Bilateral Crossbar	41900F
D	1	18" Angled Arm (8" x 10" @ 45°)	44118N
E	2	24" Angled Arm	44124W
F	1	24" Angled Arm (8" x 16")	44124N
G	2	Cam I Joint Serrated (1/2" x 1/2")	42112C
H	6	Cam II Clip-on Angling 8"	SL42126WA
I	2	Micro-Adjustable II Clip-on Angling 10"	SL45006CA
	2	Micro-Adjustable II Clip-on Angling 15"	SL45006CAR
J	2	Angling Head Wrench	43032
K	2	Malleable 13mm x 64mm (1/2" x 2 1/2")	SL46115
L	2	Malleable 13mm x 152mm (1/2" x 6")	SL46116
M	2	Malleable 13mm x 203mm (1/2" x 8")	SL46117
N	1	Malleable 25mm x 203mm (1" x 8")	SL46118
O	1	Malleable 25mm x 102mm (1" x 4")	SL46118P
P	1	Malleable 51mm x 203mm (2" x 8")	SL46122
Q	2	Malleable 64mm x 254mm (2 1/2" x 10")	SL46124

REF	QTY	ITEM DESCRIPTION	PART #
R	1	Malleable 76mm x 254mm (3" x 10")	SO46124A
S	1	Malleable 102mm x 254mm (4" x 10")	SO46124B
T	1	Kelly 64mm x 76mm (2 1/2" x 3")	SO46129
U	2	Kelly 89mm x 76mm (3 1/2" x 3")	SO46130
V	1	Balfour 70mm x 73mm (2 3/4" x 3") [w/small lips]	SO46140C
W	2	Balfour 83mm x 73mm (3 1/4" x 3")	SO46141
X	2	Balfour 83mm x 73mm (3 1/4" x 3") [w/small lips]	SO46141C
Y	2	Balfour 83mm x 123mm (3 1/4" x 5")	SO46141D
Z	4	Balfour 32mm x 32mm (1 1/4" x 1 1/4")	SL46142
1	1	Richardson 57mm x 178mm (2" x 7")	SO46153
2	1	Harrington 64mm x 152mm (2 1/2" x 6")	SL46160
3	1	St. Mark's 64mm x 178mm (2 1/2" x 7")	SO46188
4	2	Malleable Finger 6"	SL46191
5	1	Balfour 83mm x 57mm (3 1/4" x 2 1/4")	SO46241A
6	1	Balfour 100mm x 61mm (4" x 2 3/8")	SO46241B
7	1	Balfour 114mm x 63mm (4 1/2" x 2 1/2")	SO46241C
	2	Instrument Case w/Pin Mat (22" x 11" x 3 1/2")	50000G
	1	Instrument Case (26" x 10" x 5")	50000BL



Visit us online: [thompsonsurgical.com](http://thompsonsurgical.com)

© 2017 Thompson Surgical Instruments, Inc. Traverse City, Michigan.

© S-Lock®, PLA®, and the "T Circle" logomark are Registered Trademarks of Thompson Surgical Instruments, Inc.

Patents: US4971038, US5025780, US5888197, US5897087, US5902233, US5984865, US6033363, US6416465, US6511423, US7338442, US7749163, US8257255, US8360971, US8617064

Other patents pending.

Rev A  
092017  
livss

