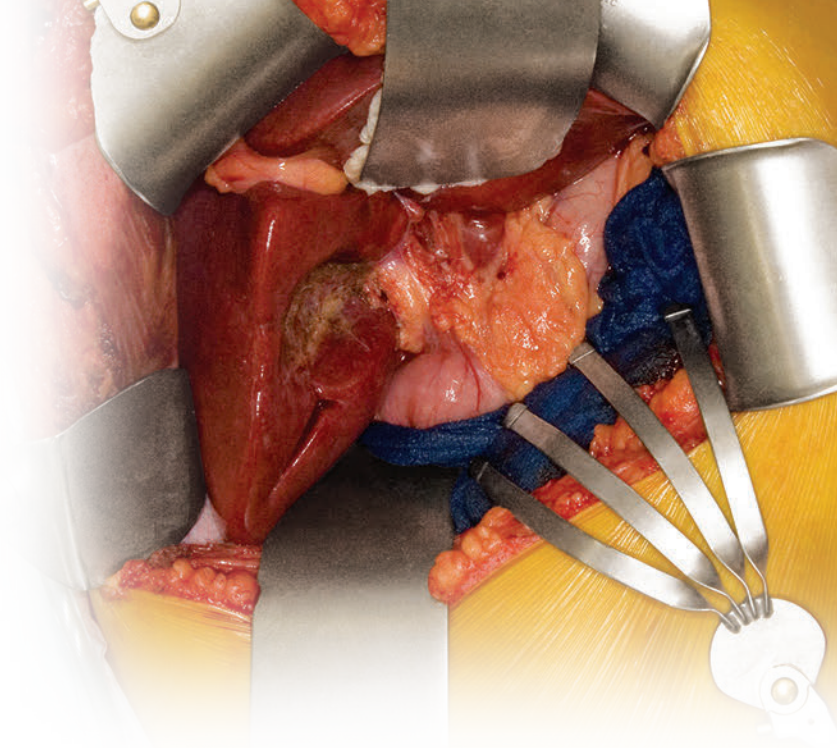


Thompson Retractor

Basic Upper Abdominal System

Uncompromised Upper Abdominal Exposure

Achieve excellent upper abdominal exposure for a variety of procedures utilizing the Thompson Retractor. A basic upper abdominal system has been created primarily for larger patients and exposures utilizing the best features and blades from more comprehensive systems. The basic system provides a bilateral table mount for extra stability, and a versatile selection of larger retractor blades.



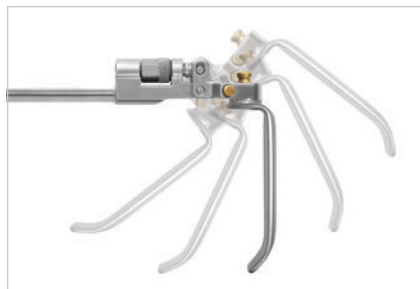
"The Thompson Retractor is in my view the best retractor for liver, hepato-pancreato-biliary and gastric splenic surgery. The access given to the upper abdomen is unmatched by any other system. The availability of valves for overweight and obese patients is also of paramount assistance."

- Prof Luc Delriviere, MBBS, MD, FRCS, FRACS



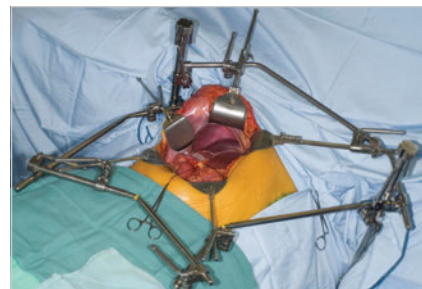
S-Lock® Technology

S-Lock technology reduces unwanted blade swivel and enables precise blade placement. Switch from swivel to locked with the push of a button.



Angling Technology

Versatile, low-profile positioning of blades to maintain a low-profile operating field and achieve better exposure. Blades can be toed in 40° or toed out 35° with no loss of retraction.



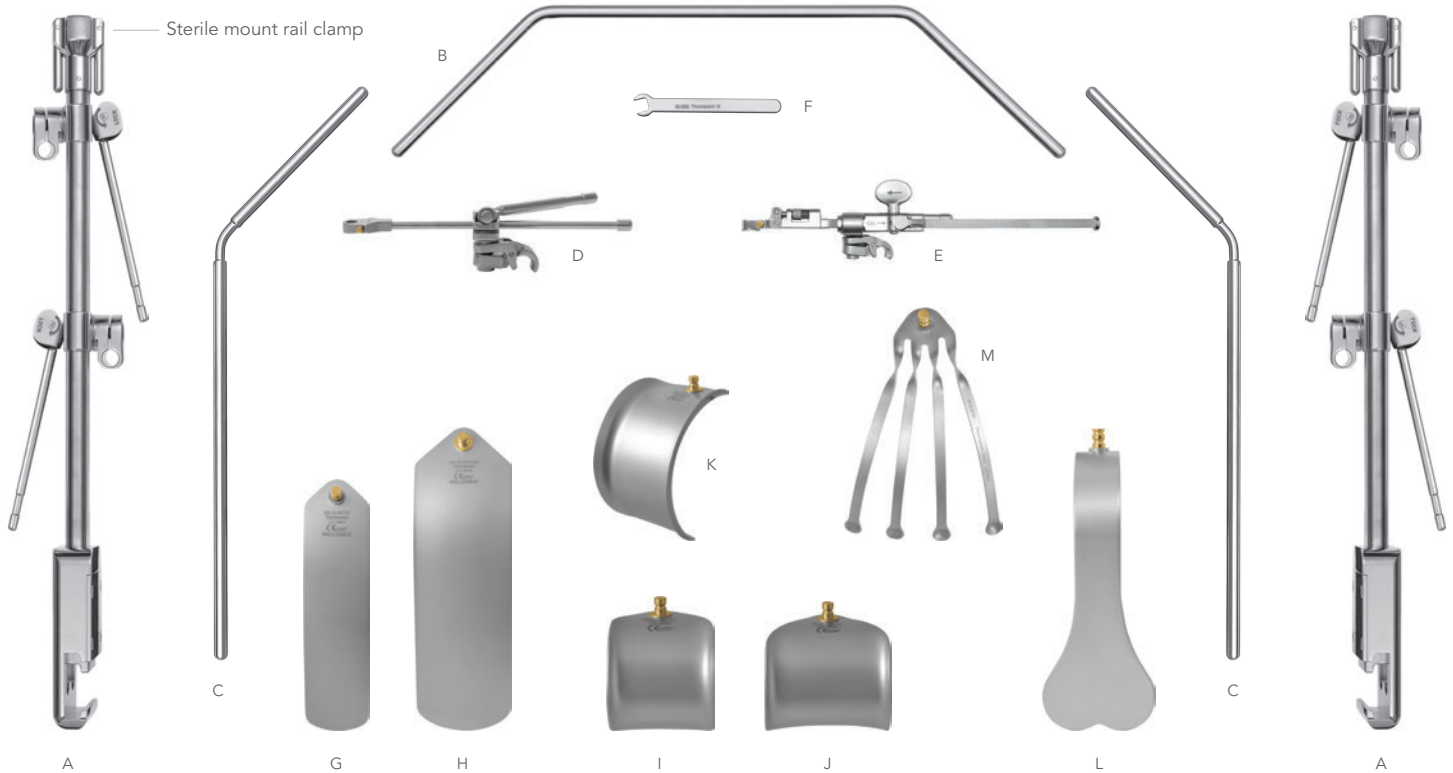
Multi-Dimensional Retraction

The Thompson Retractor's versatile frame components allow for multiple planes of retraction, while also conforming to the patient's anatomy.



SYSTEM NOTICE:

Non-S-Lock system still available, but may require a longer lead time. Please call for more information.



S-LOCK BASIC UPPER ABDOMINAL RETRACTOR SYSTEM #SL90055A

REF	QTY	ITEM DESCRIPTION	PART #
A	2	Elite II Rail Clamp with 2 Cam Joints 18" *	41903AC *
B	1	Bilateral Crossbar (7 1/4" x 13 1/2" x 7 1/4") *	41900F **
C	2	Angled Arm 24" (8" x 16")	44124N
D	3	Cam II Clip-on 8"	SL42126WH
E	2	Micro-Adjustable II Clip-on Angling 10"	SL45006CA
F	2	Angling Head Wrench	43032
G	1	Malleable 51mm x 203mm (2" x 8")	SL46122

REF	QTY	ITEM DESCRIPTION	PART #
H	2	Malleable 76mm x 254mm (3" x 10")	SO46124A
I	2	Balfour 70mm x 73mm (2 3/4" x 3") [w/small lips]	SO46140C
J	2	Balfour 83mm x 73mm (3 1/4" x 3") [w/small lips]	SO46141C
K	2	Balfour 83mm x 123mm (3 1/4" x 5")	SO46141D
L	1	Harrington 64mm x 152mm (2 1/2" x 6")	SL46160
M	1	Malleable Finger 6"	SL46191
	1	Instrument Case 26" x 10" x 5"	50000BL

NOTICE: Taller Elite II Rail Clamps and wider crossbars available, contact us for more information.



Visit us online: thompsonsurgical.com

© 2017 Thompson Surgical Instruments, Inc. Traverse City, Michigan.

© S-Lock®, PLA®, and the "T Circle" logomark are Registered Trademarks of Thompson Surgical Instruments, Inc.
 Patents: US4971038, US5025780, US5888197, US5897087, US5902233, US5984865, US6033363, US6416465, US6511423, US7338442, US7749163, US8257255, US8360971, US8617064
 Other patents pending.

Rev A
062917
buass

