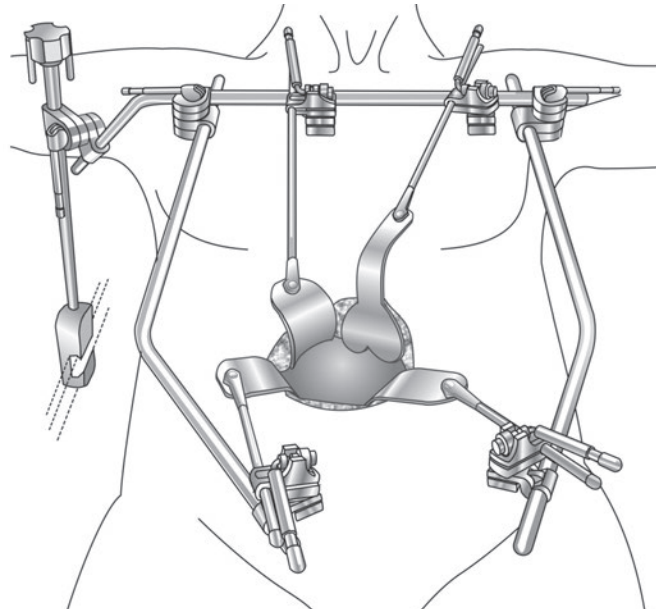


## Abdominal Vascular System

### Uncompromised Exposure

Achieve unsurpassed vascular exposure with Thompson Surgical's Abdominal Vascular System. The system combines the Thompson Quick Frame with a streamlined selection of abdominal blades ideal for abdominal vascular procedures, especially aortic repair. Sterile mount rail clamp and independent frame arms allow for versatile frame setups and when combined with S-Lock technology blades and handles, the system gives surgeons control over each blade's exact placement while remaining extremely low profile.



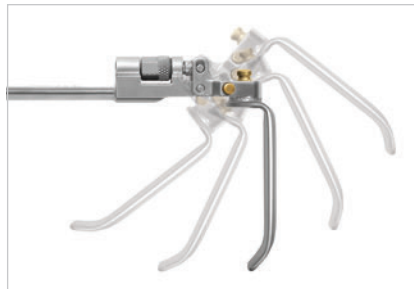
*"Thompson products always facilitated my operations!! Great engineering and quality!"*

**- John (Jeb) Hallett, MD**



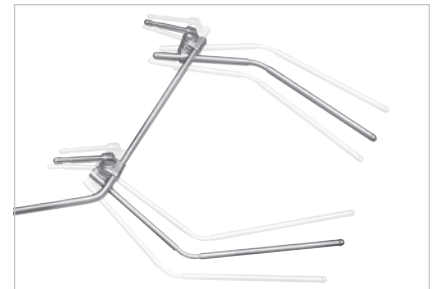
### S-Lock® Technology

S-Lock technology reduces unwanted blade swivel and enables precise blade placement. Switch from swivel to locked with the push of a button.



### Angling Technology

Versatile, low-profile positioning of blades to maintain a low-profile operating field and achieve better exposure. Blades can be toed in 40° or toed out 35° with no loss of retraction.



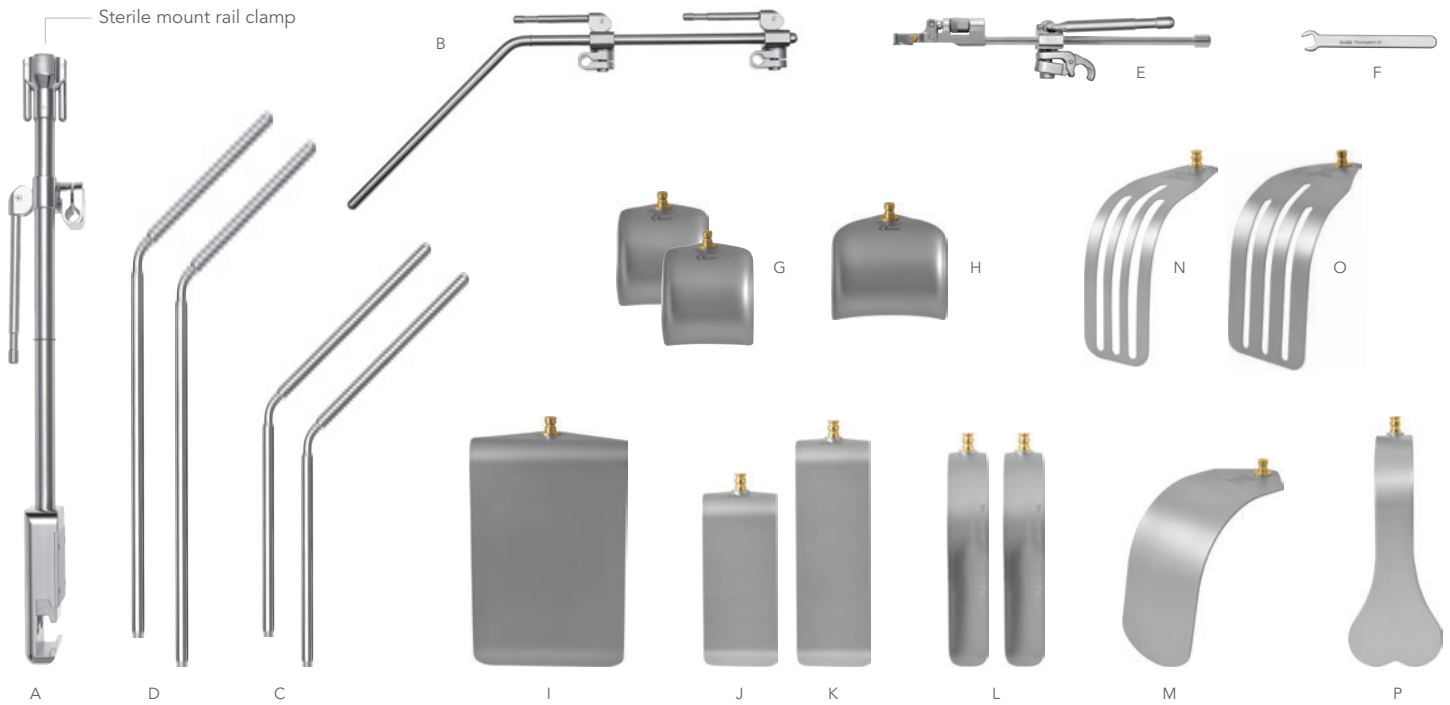
### Independent Frame Arms

Frame arms can be independently adjusted to create a low-profile, and provide more control. Independent movement enables safe, versatile retraction.



### SYSTEM NOTICE:

Non-S-Lock system still available, but may require a longer lead time. Please call for more information.



**ABDOMINAL VASCULAR SYSTEM**

**#SL91022**

REF	QTY	ITEM DESCRIPTION	PART #
A	1	Elite II Rail Clamp w/1 Cam Joint 18"	41902AC
B	1	Crossbar w/2 Cam Joints 24"	41900BC
C	2	20" Angled Arm 10" x 10" @45°	44120
D	2	24" Angled Arm 8" x 16" @ 45°	44124N
E	6	S-Lock Cam II Angling Handle 8"	SL42126WA
F	2	Angling Head Wrench	43032
G	2	Balfour 70mm x 73mm (2 3/4" x 3") [w/small lips]	SO46140C
H	1	Balfour 83mm x 73mm (3 1/4" x 3") [w/small lips]	SO46141C
I	1	Fence 102mm x 152mm (4" x 6")	SO46136

REF	QTY	ITEM DESCRIPTION	PART #
J	1	Splanchnich 51mm x 114mm (2" x 4 1/2")	SL46145
K	1	Splanchnich 51mm x 152mm (2" x 6")	SL46146
L	2	Concave Renal Vein 25mm x 140mm (1" x 5 1/2")	SL46119B
M	1	Deaver 76mm x 127mm (3" x 5")	SO46176
N	1	Malleable Slotted 51mm x 203mm (2" x 8")	SL46122V
O	1	Malleable Slotted 76mm x 203mm (3" x 8")	SO46124AV
P	1	Harrington 64mm x 152mm (2 1/2" x 6")	SL46160
	2	Instrument Case 22" x 11" x 3 1/2" with Pin Mat	50000G



Visit us online: [thompsonsurgical.com](http://thompsonsurgical.com)

For a Free Trial Call **1-800-227-7543** \*

\* Free trial valid for U.S. customers only. Customers outside the U.S.A., please call +1-231-922-0177 for availability.

© 2017 Thompson Surgical Instruments, Inc. Traverse City, Michigan. Printed in U.S.A.

© S-Lock®, PLA®, and the "T Circle" logomark are Registered Trademarks of Thompson Surgical Instruments, Inc.

Patents: US4971038, US5025780, US5888197, US5897087, US5902233, US5984865, US6033363, US6416465, US6511423, US7338442, US7749163, US8257255, US8360971, US8617064  
Other patents pending.

Rev A  
061517  
sp avss

