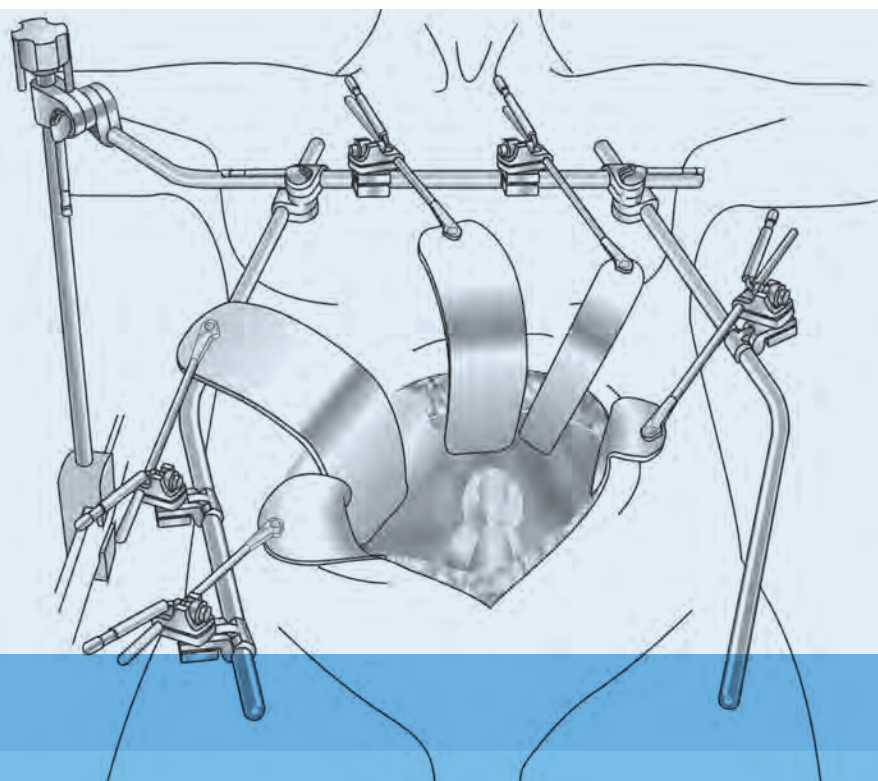


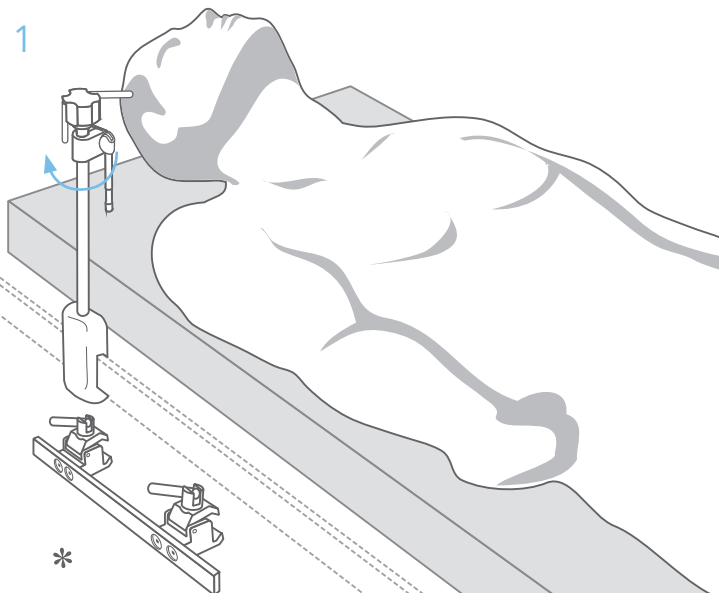
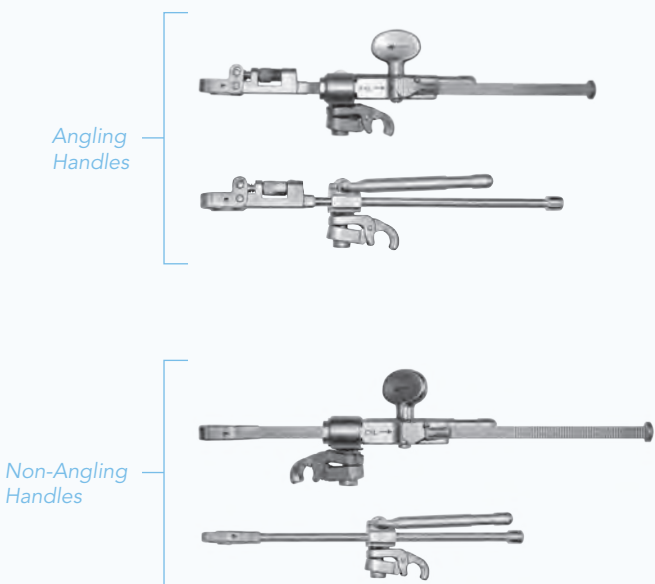
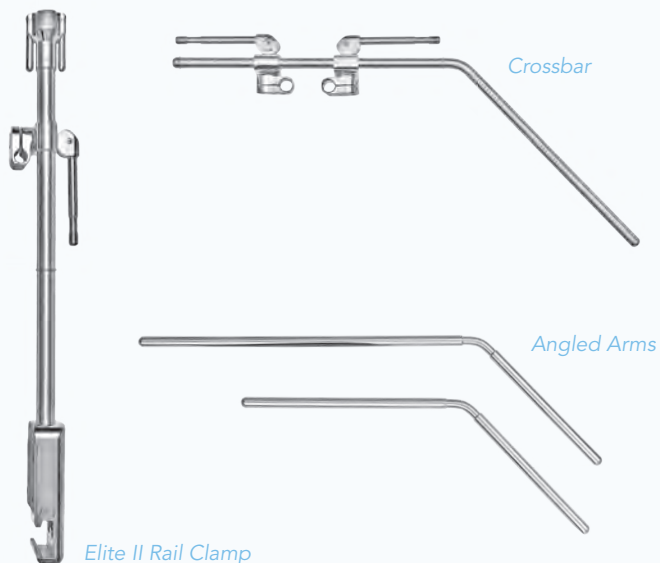
Quick Frame User Manual

Thompson Retractor 



- UPPER ABDOMINAL
- PEDIATRIC
- ABDOMINAL AORTIC
- ANTERIOR LUMBAR
- CAROTID
- ANTERIOR CERVICAL
- ABDOMINAL
- VAGINAL
- PERINEAL PROSTATECTOMY

Uncompromised Exposure.



Secure the Elite II Rail Clamp to the table rail over the sterile drape.

CAUTION:
If the patient is obese, avoid compressing the ulnar nerve.
When necessary, use a wider OR table or add 2 1/2" to the width of the table by using our Rail Extender 41917.

CLEAN ALL COMPONENTS

Do not allow blood to dry on components. Ultrasonic cleaning is recommended; however, hand washing with a brush is acceptable.

LUBRICATE ALL THREADED AND CAM COMPONENTS BEFORE AUTOCLAVING

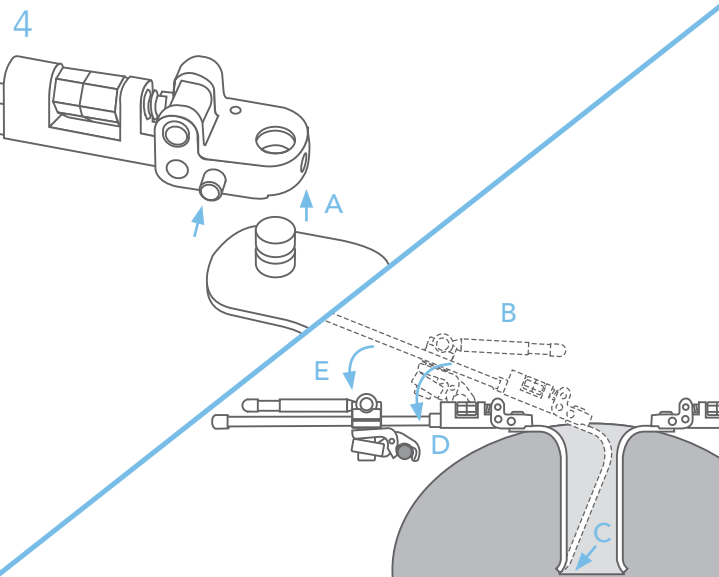
Be certain that all Cam Joints are in FULL OPEN POSITION during autoclaving.

STERILIZE:

- GRAVITY STEAM (Wrapped)
30 minutes 121°C (250°F) @ 1.1kg/cm²
- HIGH SPEED GRAVITY (FLASH)
5 minutes 132°C (270°F) @ 30psi or 132° @ 2kg/cm²
- PREVACUUM STEAM (Wrapped)
4 minutes @132°C (270°F)

CAUTION:

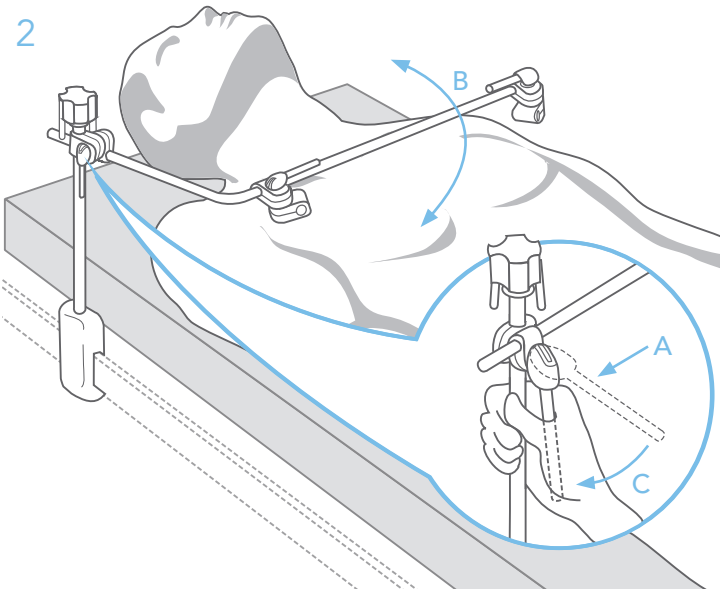
Relax retractors periodically to ensure proper blood flow.



ADD RETRACTORS:

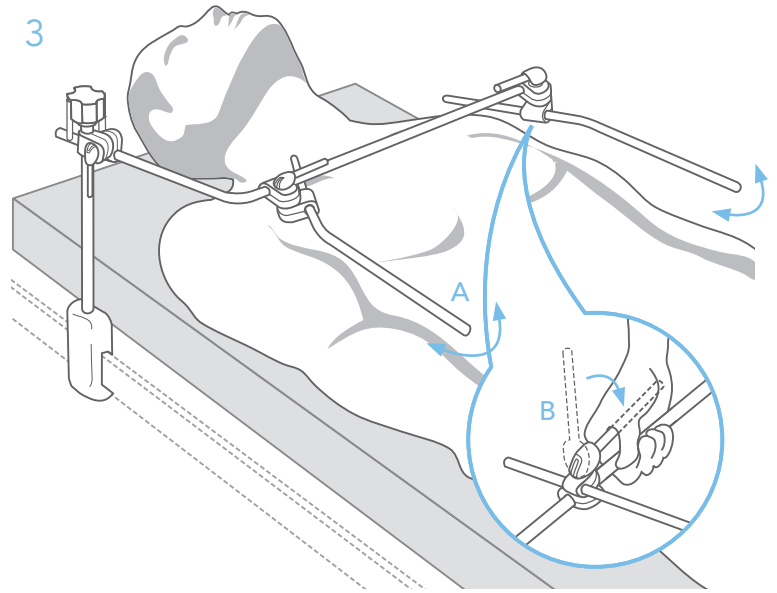
- A Press the plunger and insert blade into the handle.
- B Cam should be in "unlock" position
- C Place blade in site
- D Clip joint onto arm
- E Retract and "lock" joint

2



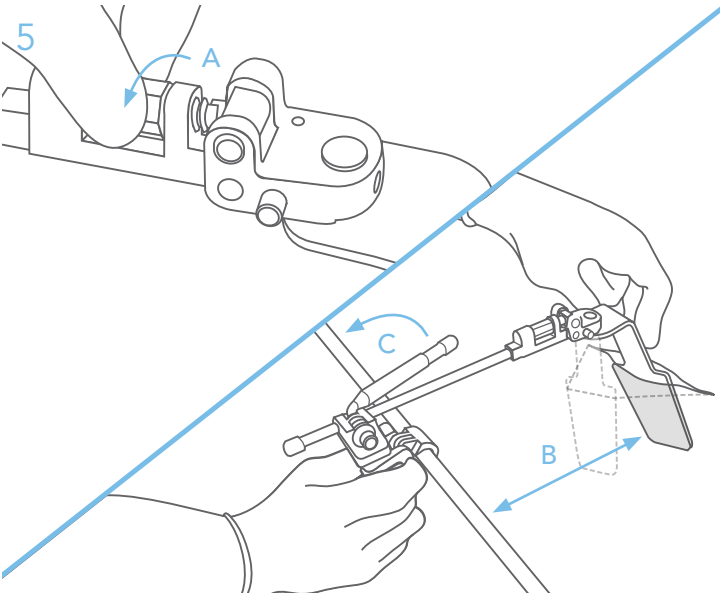
- A Insert the crossbar into the rail clamp's universal joint.
- B Position the crossbar.
- C Lock the universal joint.

3



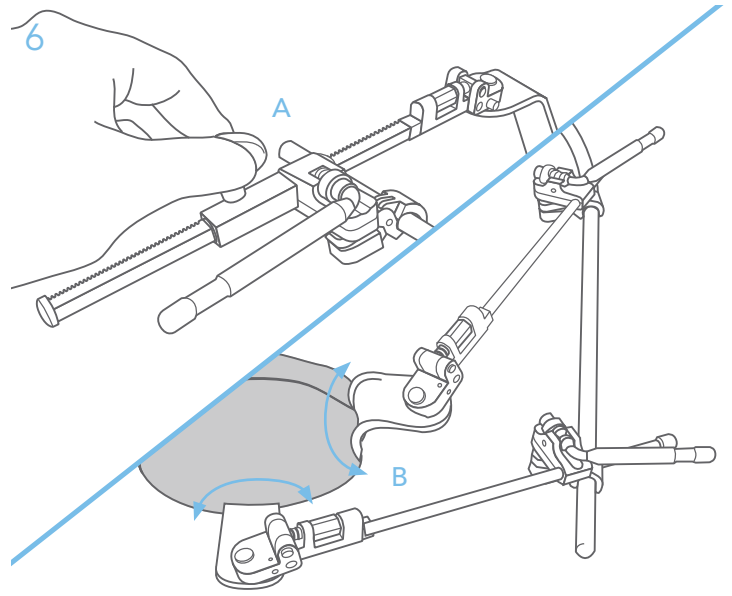
- A Secure angled arms to the crossbar. Position the arms just above the horizon of the patient. Ensure the angled arms are positioned low and wide to efficiently retract.
- B A quick flip of the handle instantly secures the cam joint. (Grasp the frame arm for leverage.)

5



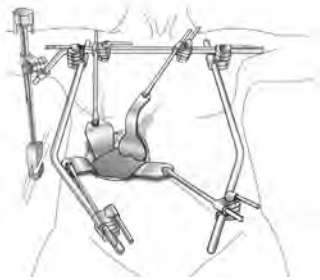
- TIPS:**
- A Adjust angle of retractor handle blade before applying retraction.
 - B Compress the arm toward the incision while simultaneously retracting the blade.
 - C Have assistant lock joint.
- Spring of frame holds retractor in place.

6

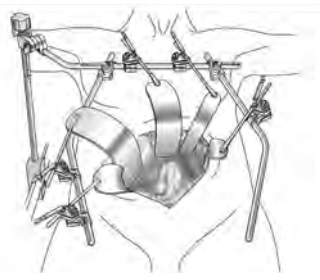


- A Turn knob to fine tune retraction.
- B Use the swivel feature to position handles out of the team's way, and to retract where there are no framing arms.

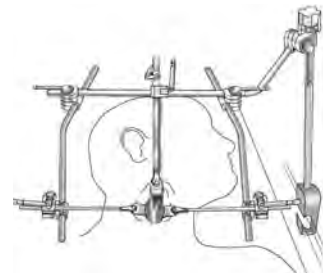
UPPER ABDOMINAL



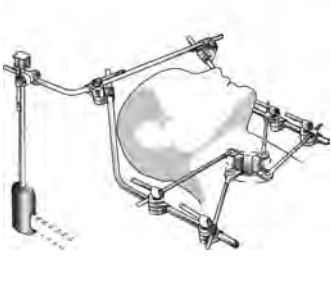
ABDOMINAL AORTIC & ANTERIOR LUMBAR



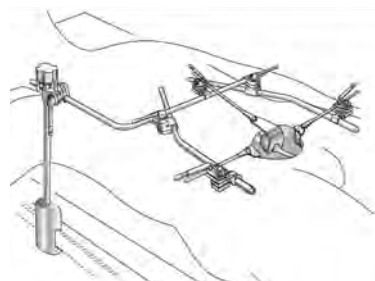
CAROTID/SMALL INCISION



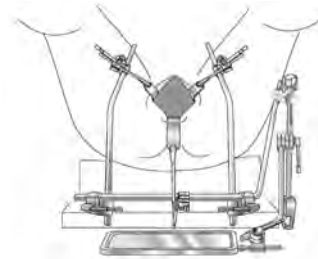
ANTERIOR CERVICAL



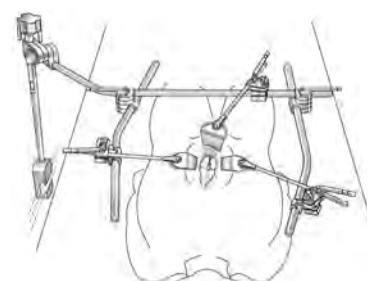
LOWER ABDOMINAL



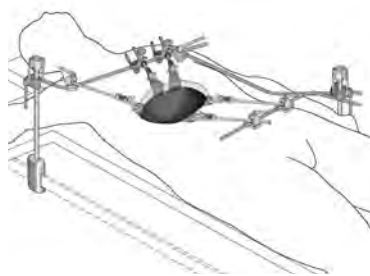
VAGINAL AND PERINEAL PROSTATECTOMY



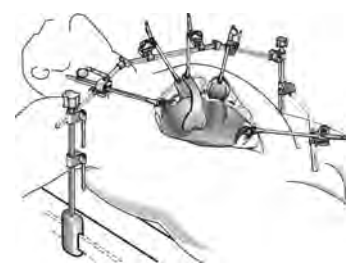
PEDIATRIC



LIVER RESECTION



OBESITY



Add an Expansion Kit
for bilateral setup.

Thompson 
SURGICAL INSTRUMENTS

10170 East Cherry Bend Road
Traverse City, Michigan 49684
phone: 231.922.0177
fax: 231.922.0174

www.thompsonsurgical.com