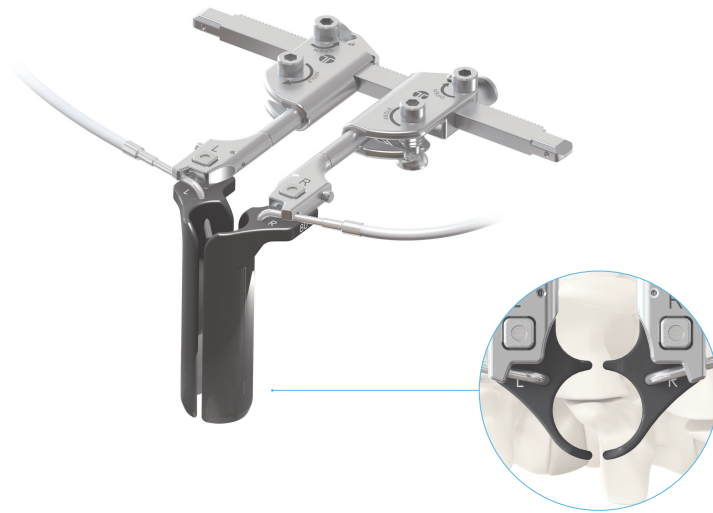


# MIS PLA® System: Simple Set Up Options

Simplify the PLA Retractor set up with just 2 opposing blades

## CAUDAL / CEPHALAD

Ideal for simple MIS tubular or split tube exposures



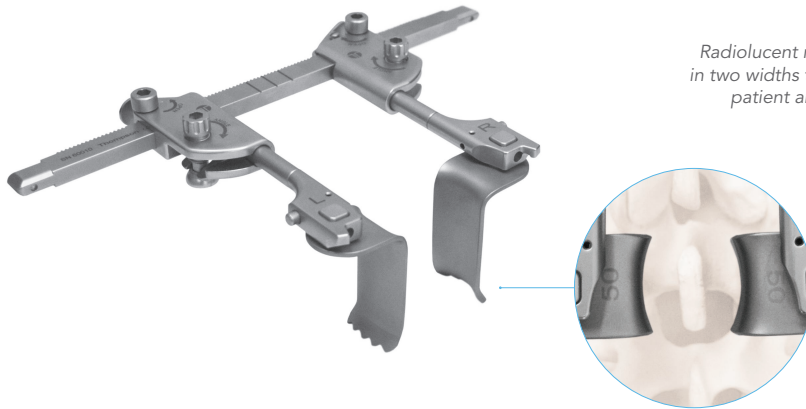
Black radiolucent blades reduce glare and improve visualization



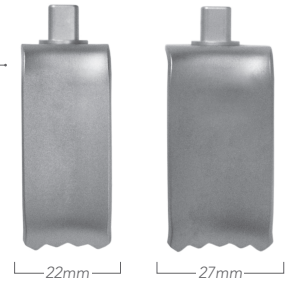
**PLA Caudal / Cephalad Blade Kit 81022**  
Kit contains left and right blades from 40mm - 120mm deep

## MIDLINE

Ideal for simple midline or off midline exposures



Radiolucent midline blades are offered in two widths to accommodate different patient anatomies and procedures.




**PLA Midline Blade Kit 81024**  
Kit contains 22mm and 27mm wide blades from 30mm - 130mm deep

**Thompson**   
SURGICAL INSTRUMENTS

10170 East Cherry Bend Road  
Traverse City, Michigan 49684  
phone: 231.922.0177  
fax: 231.922.0174

[thompsonsurgical.com](http://thompsonsurgical.com)

© 2015 Thompson Surgical Instruments, Inc. Traverse City, Michigan.  
© S-Lock®, PLA®, and the "T Circle" logomark  are Registered Trademarks of Thompson Surgical Instruments, Inc.  
Patents: US4971038, US5025780, US5888197, US5897087, US5902233, US5984865, US6017008,  
US6033363, US6416465, US6511423, US7338442, US7749163, US8257255, US8360971, US8617064.  
Other patents pending.

Rev A  
123015  
plassu1215

Made in the USA

**For a FREE TRIAL  
call 1.800.227.7543**

Free trial valid for U.S. customers only.  
International customers please call for more information.