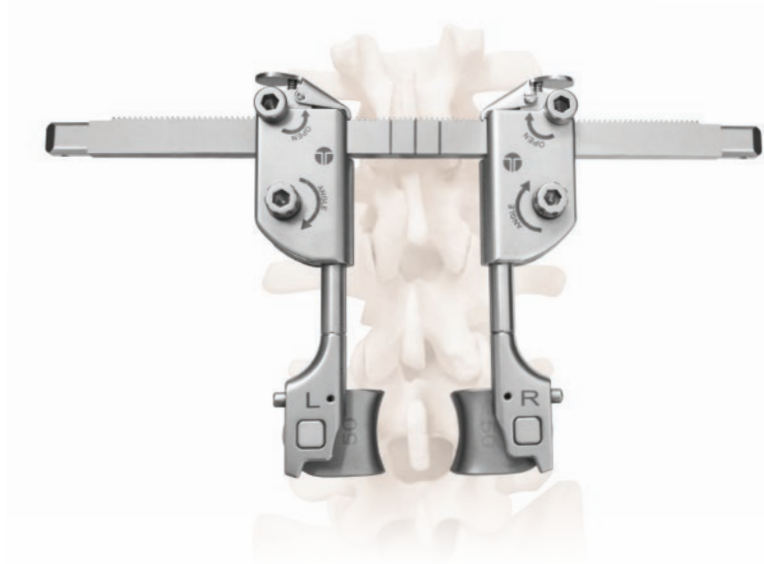


Thompson Retractor

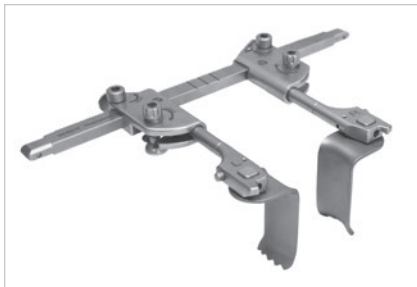
PLA® Midline Blades

Adapt Your PLA System for Midline or Muscle-Splitting Approaches

The PLA Midline Blade Kit offers the ability to add flat blades to the MIS Spine Frame. Ideal for all single-level midline posterior lumbar procedures such as laminectomies, fusions, microdiscectomies, or insertion of pedicle screws.



Radiolucent midline blades are offered in 22mm and 27mm widths to accommodate different patient anatomies and procedures.



Excellent Lumbar Exposure

Add flat midline blades to the MIS Spine Frame for midline or paraspinous muscle-splitting approaches to the posterior lumbar spine.



Simple and Easy Set Up

Simply add two or four midline blades to the MIS Spine Frame for Uncompromised Exposure.



Four Blade Option

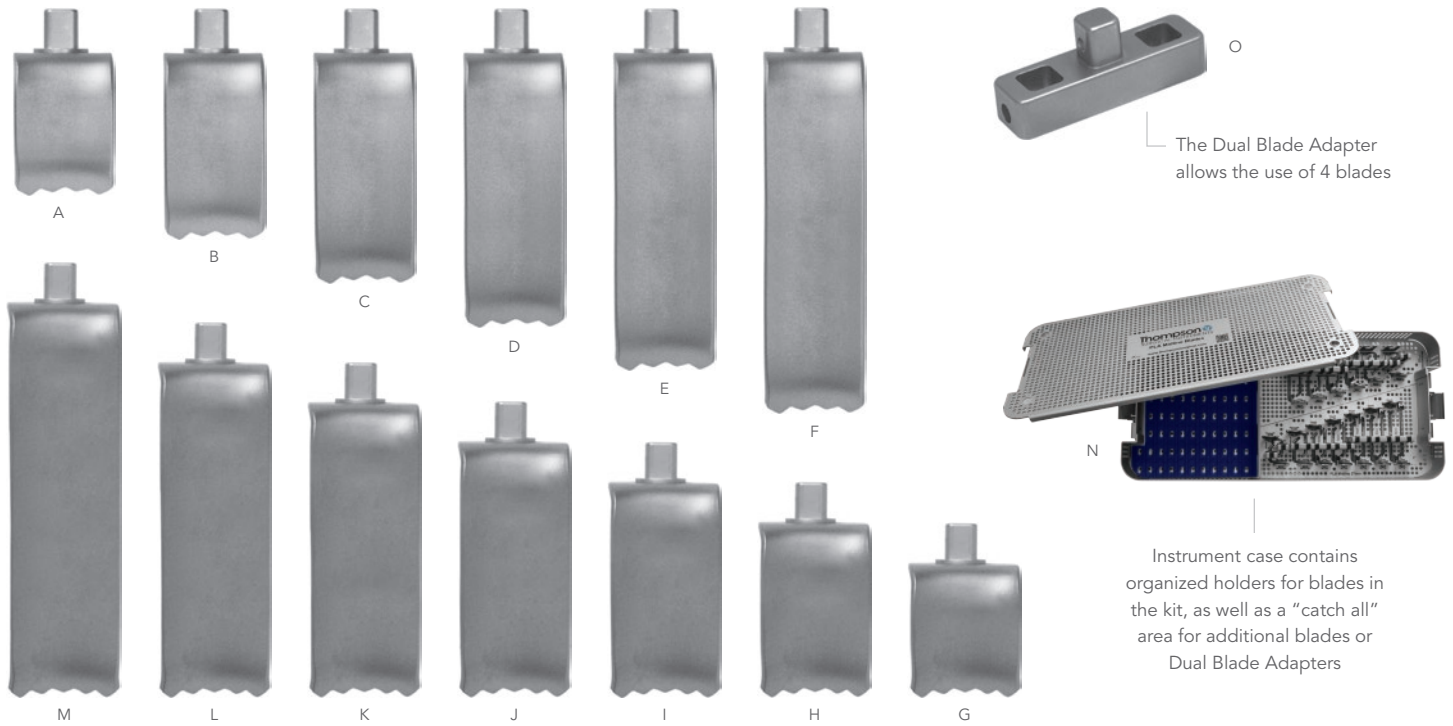
Add the MIS Spine Frame Dual Blade Adapter to MIS Spine Frame Arms to enable multiple level exposure by using 4 Midline blades at a time.

(2 required for use.)



NOTICE:

PLA® Midline Blades are compatible only with the MIS Spine Frame, and will not work with standard Thompson handles.



The Dual Blade Adapter allows the use of 4 blades

Instrument case contains organized holders for blades in the kit, as well as a "catch all" area for additional blades or Dual Blade Adapters

PLA MIDLINE BLADE KIT

#81024

REF	QTY	ITEM DESCRIPTION	PART #
A	2	22mm x 30mm	45973
B	2	22mm x 40mm	45974
C	2	22mm x 50mm	45975
D	2	22mm x 60mm	45976
E	2	22mm x 70mm	45977
F	2	22mm x 80mm	45978
G	2	27mm x 30mm	45984
H	2	27mm x 40mm	45985
I	2	27mm x 50mm	45986
J	2	27mm x 60mm	45987

REF	QTY	ITEM DESCRIPTION	PART #
K	2	27mm x 70mm	45988
L	2	27mm x 80mm	45989
M	2	27mm x 90mm	45990
N	1	Instrument Case - PLA Midline Blades	50000ML

DUAL BLADE ADAPTER

REF	ITEM DESCRIPTION	PART #
O	MIS Spine Frame Dual Blade Adapter *	60015

* 2 required for use.

NOTICE: Additional PLA® Midline Blade sizes available, call for information.



Visit us online: thompsonsurgical.com

For a Free Trial Call **1-800-227-7543** *

* Free trial valid for U.S. customers only. Customers outside the U.S.A., please call +1-231-922-0177 for availability.

© 2017 Thompson Surgical Instruments, Inc. Traverse City, Michigan.

© S-Lock®, PLA®, and the "T Circle" logomark are Registered Trademarks of Thompson Surgical Instruments, Inc.

Patents: US4971038, US5025780, US5888197, US5897087, US5902233, US5984865, US6033363, US6416465, US6511423, US7338442, US7749163, US8257255, US8360971, US8617064
Other patents pending.

Rev C
110817
plamlbss

