

THOMPSON RETRACTOR LUBRICATION INSTRUCTIONS

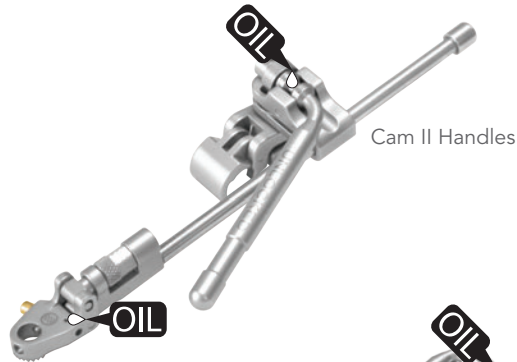
In order to keep your Thompson Retractor components working properly, lubricate all moving mechanisms on instruments with a steam penetrable, water-soluble product after every cleaning cycle.



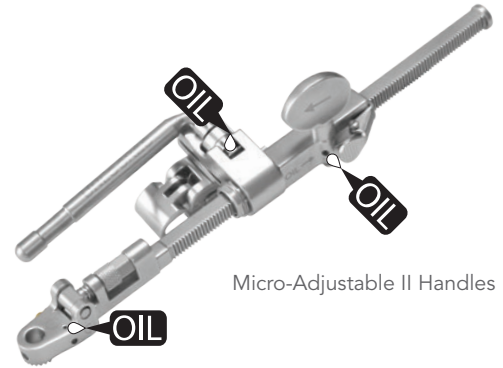
Elite II Rail Clamps



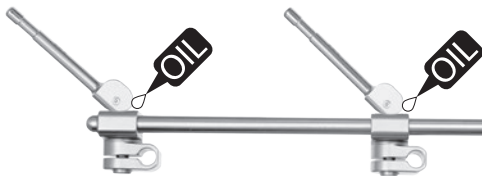
Infinite Height Rail Clamps



Cam II Handles



Micro-Adjustable II Handles



Crossbars with Cam Joints



Cam I Joints



Universal Joints

 **Thompson**
SURGICAL INSTRUMENTS
10341 East Cherry Bend Road
Traverse City, Michigan 49684
phone: 231.922.0177
fax: 231.922.0174
thompsonsurgical.com

For a Free Trial Call **1-800-227-7543** *

* Free trial valid for U.S. customers only. Customers outside the U.S.A., please call +1-231-922-0177 for availability.

© 2017 Thompson Surgical Instruments, Inc. Traverse City, Michigan.

© S-Lock® ®, PLA®, and the Thompson "T Circle" logomark are Registered Trademarks of Thompson Surgical Instruments, Inc.

Patents: US4971038, US5025780, US5888197, US5897087, US5902233, US5984865, US6033363, US6416465, US6511423, US7338442, US7749163, US8257255, US8360971, US8617064
Other patents pending.

EC REP

Emergo Europe
Prinsessegracht 20
2514 AP The Hague
THE NETHERLANDS

CE0297

Rev B
042817
lub0417

**Made In
USA**