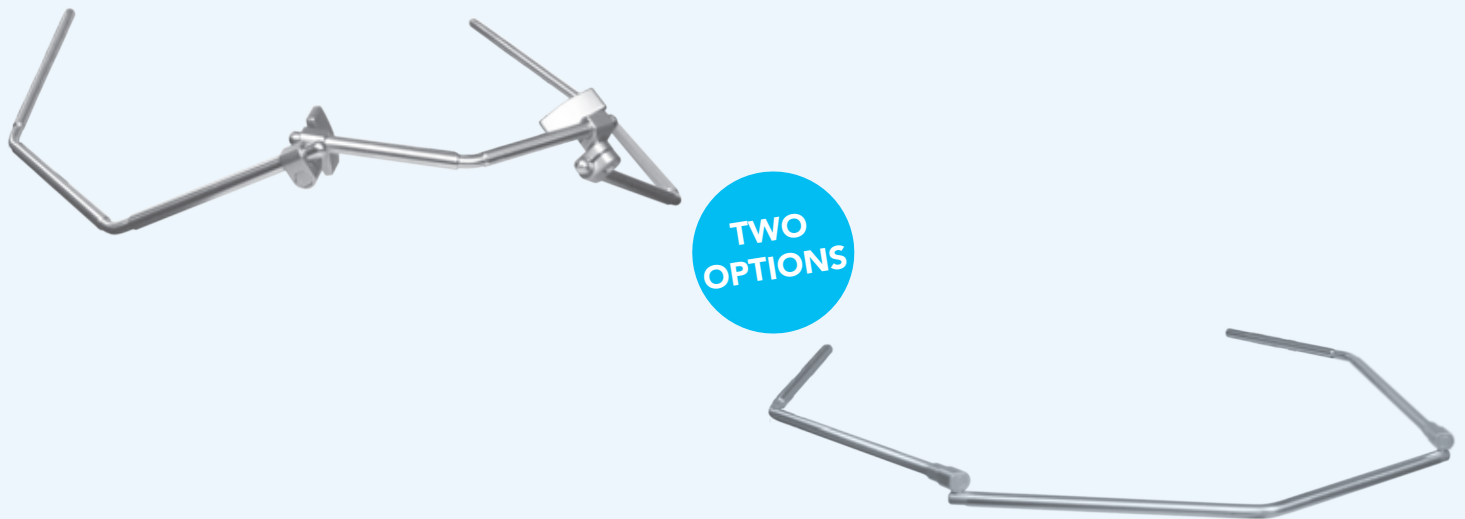


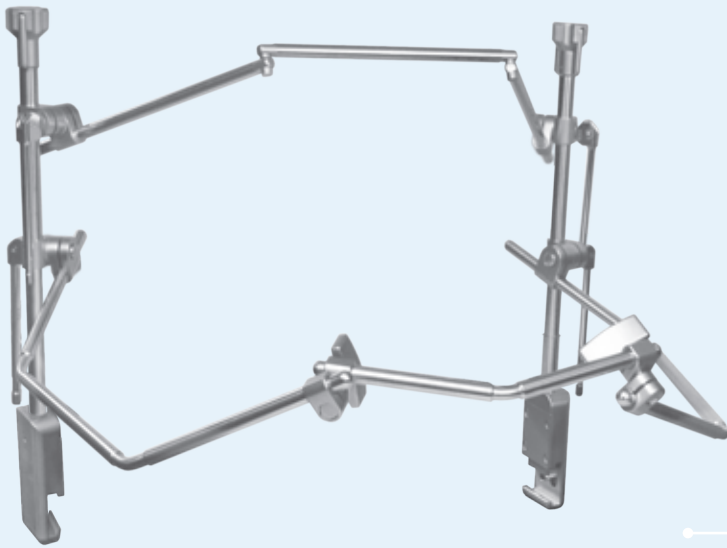
# Lower Abdominal Bar: Frame Components + Single Piece Design

Thompson Retractor 



- IMPROVED LOWER ABDOMINAL EXPOSURE
- QUICK AND EASY SET UP OPTIONS
- FLEXIBLE POSITIONING

Uncompromised Exposure

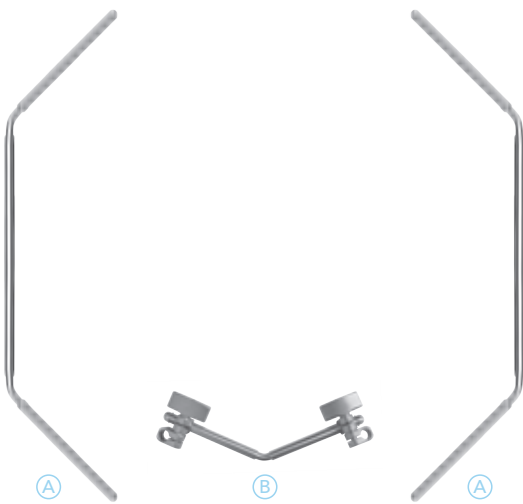


# Lower Abdominal Bar Frame Components

## 3-PIECE DESIGN BENEFITS:

- Setup can be accomplished by one person
- Ideal for large and obese patients but can be used on small/med patients.
- Offers more size variations and configurations

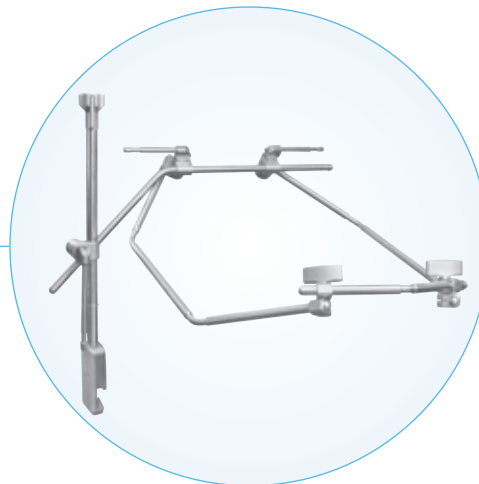
*Bilateral Set Up*



## LOWER ABDOMINAL BAR FRAME COMPONENTS

ITEM DESCRIPTION	PART #
Ⓐ Double Angled Arm 22" (7" x 9" x 7")	44122DB
Double Angled Arm 28" (7 1/4" x 13 1/2" x 7 1/4")	44128DB
Ⓑ Angled Closure Arm 9" (4 1/2" x 4 1/2")	44109B
Angled Closure Arm 13" (6 1/2" x 6 1/2")	44113B
Angled Closure Arm 18" (9" x 9")	44118B
Angled Closure Arm 21" (10 1/2" x 10 1/2")	44121B

*Quick Frame Set Up*



# Lower Abdominal Bar

## SINGLE PIECE DESIGN BENEFITS:

- Quickest setup\*
- Fewer parts reduce instrument counts and simplify setup
- Three size options for varying patient anatomies

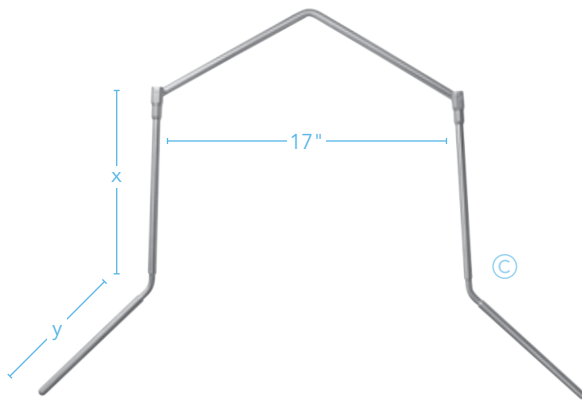
Bilateral Set Up

\*Set up requires use of an assistant

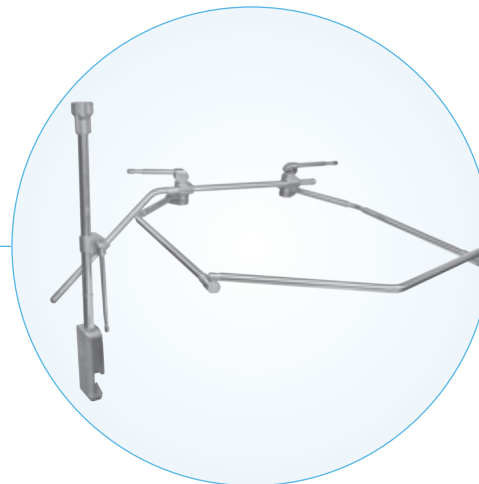
## LOWER ABDOMINAL BARS

ITEM DESCRIPTION	PART #
Lower Abdominal Bar 14" [x] x 6" [y]	44112SP *
© Lower Abdominal Bar 10" [x] x 8" [y]	44111SP
Lower Abdominal Bar 10" [x] x 6" [y]	44110SP

\* Use of 44112SP will require a larger instrument case, or will need to be wrapped separately.



Quick Frame Set Up





10170 East Cherry Bend Road  
Traverse City, Michigan 49684  
phone: 231.922.0177  
fax: 231.922.0174

[thompsonsurgical.com](http://thompsonsurgical.com)

Made in the USA

© 2016 Thompson Surgical Instruments, Inc. Traverse City, Michigan.

© S-Lock® and the "T Circle" logomark are Registered Trademarks of Thompson Surgical Instruments, Inc.  
Patents: US4971038, US5025780, US5888197, US5897087, US5902233, US5984865, US6033363, US6416465,  
US6511423, US7338442, US7749163, US8257255, US8360971, US8617064.  
Other patents pending.

**For a FREE TRIAL  
call 1.800.227.7543**

Free trial valid for U.S. customers only.  
International customers please call for more information.