

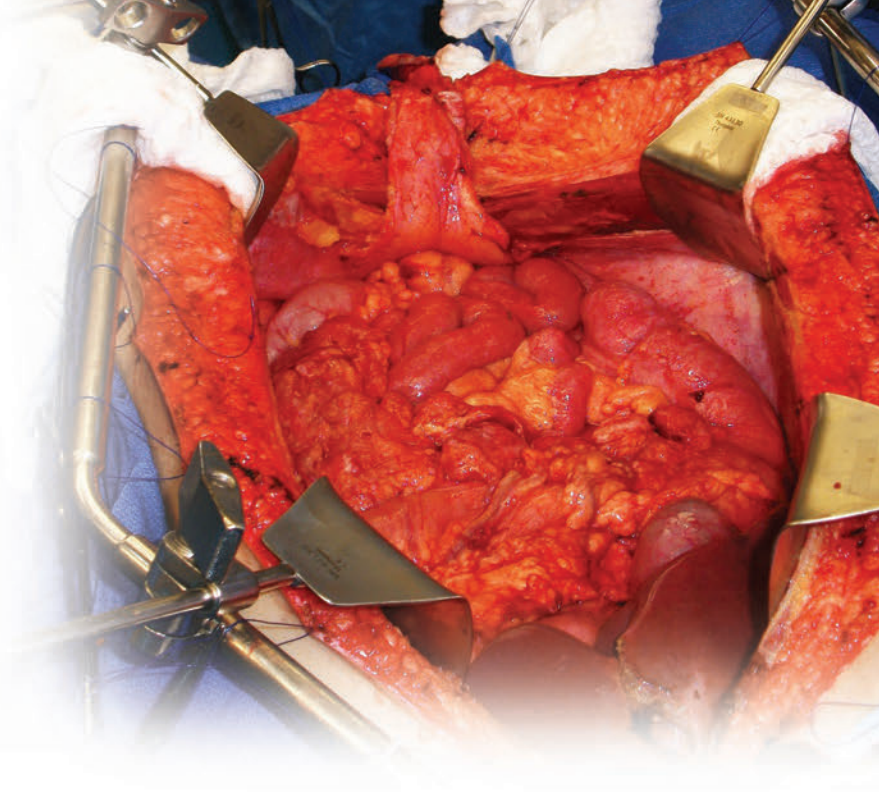
Thompson Retractor

HIPEC Retractor System

Uncompromised Oncology Exposure

Hyperthermic Intraperitoneal Chemotherapy (HIPEC), once the cytoreductive surgical procedure is finalized, constitutes the most common form of administration of perioperative intraperitoneal chemotherapy.

The Thompson Retractor provides Uncompromised Exposure for HIPEC treatment. Reputed for its rigidity, versatility, and flexibility, it has been utilized in the common open-abdomen HIPEC treatment or "Coliseum Technique" as pioneered by Dr. Paul Sugarbaker (Washington Cancer Center, Washington D.C.), and in the "Open Abdomen-Closed" HIPEC treatment technique as pioneered by Dr. Patrick Rat (University Hospital of Dijon, France)



"The Thompson Retractor is of use at all times during cytoreductive surgery with HIPEC and is essential for an optimal result."

- Paul H. Sugarbaker, MD, FACS, FRCS



Bilateral Stability

The included Extension Arm provides bilateral rigidity to the HIPEC Retractor System frame set up.



Micro-Adjustable Strength

Micro-adjustable mechanism allows strong, controlled retraction of tissue. Especially helpful for costal margin retraction.



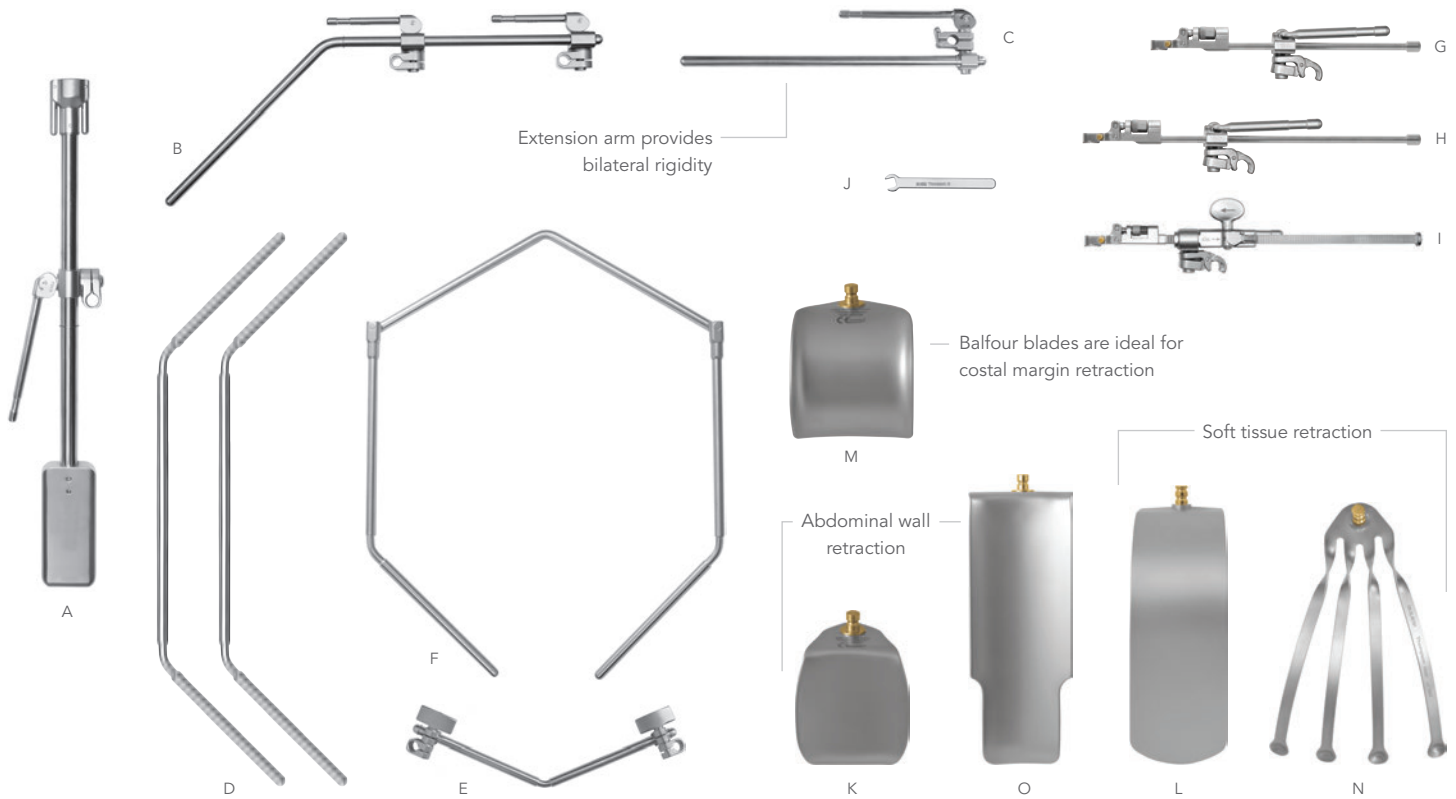
Unilateral Option

The HIPEC Retractor System components may be set up unilaterally for general surgery exposures.



SYSTEM NOTICE:

HIPEC disposable kit not available from Thompson Surgical.



HIPEC RETRACTOR SYSTEM

#SL91032

REF	QTY	ITEM DESCRIPTION	PART #
A	2	Elite II Rail Clamp with 1 Cam Joint 18"	41902AC
B	1	Crossbar with 2 Cam Joints 24"	41900BC
C	1	Extension Arm 14" with Cam Latch Mount	44614LC
D	2	Double Angled Arm 22"	44122DB
E	1	Angled Closure Arm 13" (6 1/2" x 6 1/2")	44113B
	1	Angled Closure Arm 18" (9" x 9")	44118B
F	1	Lower Abdominal Bar 20" (14" x 6")	44112SP
G	6	Cam II Clip-On Angling 8"	SL42126WA
H	2	Cam II Clip-On Angling 10"	SL42126WAL

REF	QTY	ITEM DESCRIPTION	PART #
I	2	Micro-Adjustable II Clip-On Angling 10"	SL45006CA
J	2	Angling Head Wrench	43032
K	4	Kelly 64mm x 76mm (2 1/2" x 3")	SO46129
L	2	Deaver 51mm x 127mm (2" x 5")	SL46174
M	2	Balfour 70mm x 73mm (2 3/4" x 3") [w/sm lips]	SO46140C
N	1	Malleable Finger 6"	SL46191
O	1	St. Mark's 64mm x 178mm (2 1/2" x 7")	SO46188
	2	Instrument Case w/Pin Mat (22" x 11" x 3 1/2")	50000G



Visit us online: thompsonsurgical.com

For a Free Trial Call **1-800-227-7543** *

* Free trial valid for U.S. customers only. Customers outside the U.S.A., please call +1-231-922-0177 for availability.

© 2017 Thompson Surgical Instruments, Inc. Traverse City, Michigan.

© S-Lock®, PLA®, and the "T Circle" logomark are Registered Trademarks of Thompson Surgical Instruments, Inc.

Patents: US4971038, US5025780, US5888197, US5897087, US5902233, US5984865, US6033363, US6416465, US6511423, US7338442, US7749163, US8257255, US8360971, US8617064
Other patents pending.

Rev B
041317
ap hrss0417

