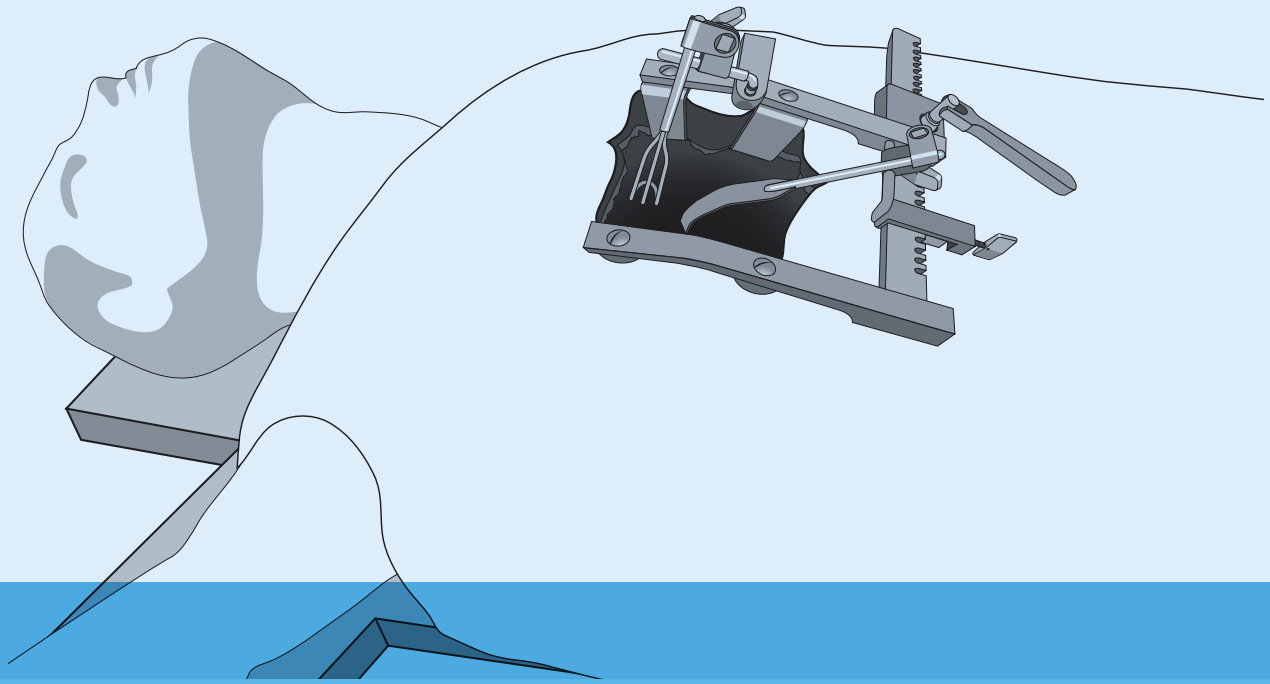
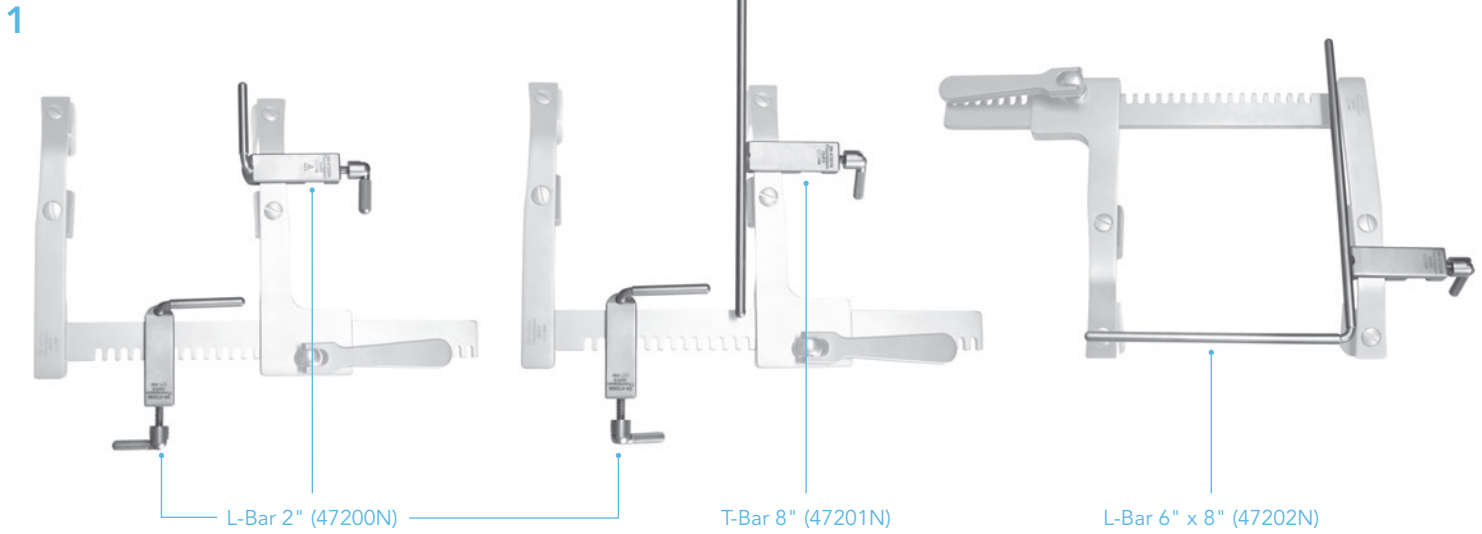


Bolling Mitral
Valve Retractor
User Manual

Thompson Retractor 





STEP 1

With sternal spreader in place, determine where retractor blades will be needed. Select T- or L-Bar clamp(s) of choice to allow for mounting of retractor blades. (See examples above, other configurations are possible.)

NOTE: Custom bar dimensions are available.



STEP 2

Turn knurled knob on the clamp counter-clockwise to open, place over spreader, and turn knob clockwise to tighten until secure.



STEP 3

Slide joint onto bar where retractors are needed. To avoid suture snags, position the knob toward the bottom of the bar as shown.

Alternately, the knob may be positioned toward the top for easier access (*inset photo*).

4



5



STEP 4

Select shortest retractor necessary for patient size. Three lengths are provided.

STEP 5

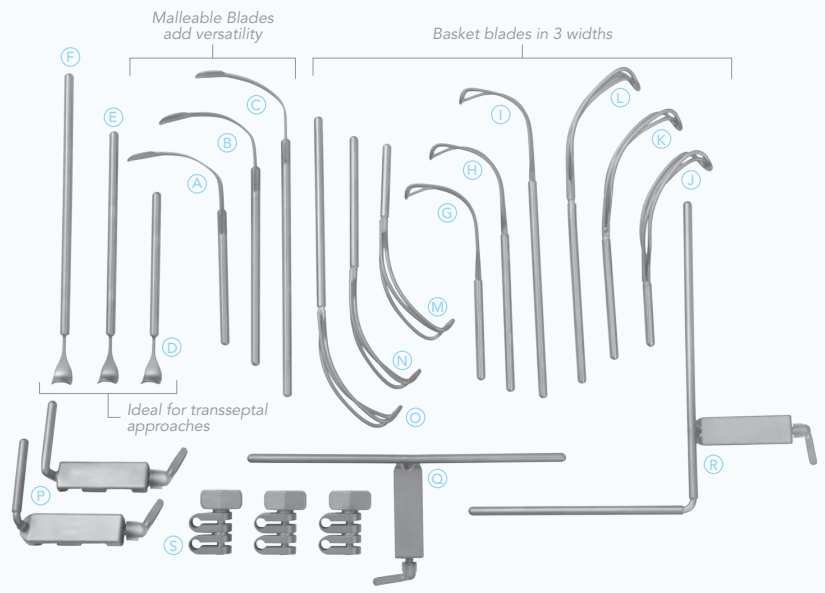
Insert retractor into joint, retract anatomy, and lock joint by turning knob clockwise. Repeat for additional retractors.

Please refer to the Thompson IFU for complete cleaning and sterilization instructions.

BOLLING MITRAL VALVE RETRACTOR

QTY.	ITEM DESCRIPTION	PART #
	Bolling Mitral Valve Retractor	91072CV
(A)	1 Malleable Paddle 5"	43100
(B)	1 Malleable Paddle 6 1/2"	43101
(C)	1 Malleable Paddle 8"	43102
(D)	1 Cushing 5"	43103
(E)	1 Cushing 6 1/2"	43104
(F)	1 Cushing 8"	43105
(G)	1 Small Basket 5"	43106
(H)	1 Small Basket 6 1/2"	43107
(I)	1 Small Basket 8"	43108
(J)	1 Medium Basket 5"	43109
(K)	1 Medium Basket 6 1/2"	43110
(L)	1 Medium Basket 8"	43111
(M)	1 Large Basket 5"	43112
(N)	1 Large Basket 6 1/2"	43113
(O)	1 Large Basket 8"	43114
(P)	2 CV Clamp L-Bar 2"	47200N
(Q)	1 CV Clamp T-Bar 8"	47201N
(R)	1 CV Clamp L-Bar 6" x 8"*	47202N
(S)	3 Universal Joint	47204
1	Instrument Case 15" x 9 1/2" x 1 1/2"	50000BOL

*Reverse Option Available (47202NR)



Custom components available, call 1-800-227-7543 for details.


 **Thompson**
SURGICAL INSTRUMENTS
10341 East Cherry Bend Road
Traverse City, Michigan 49684
phone: 231.922.0177
fax: 231.922.0174
thompsonsurgical.com

EC REP

Emergo Europe
Prinsessegracht 20
2514 AP The Hague
THE NETHERLANDS

* Free trial valid for U.S. customers only. International customers please call for more information.

© 2017 Thompson Surgical Instruments, Inc. Traverse City, Michigan.

® S-Lock®, PLA®, and the "T Circle" logomark  are Registered Trademarks of Thompson Surgical Instruments, Inc.
Patents: US4971038, US5025780, US5888197, US5897087, US5902233, US5984865, US6033363, US6416465, US6511423,
US7338442, US7749163, US8257255, US8360971, US8617064
Other patents pending.

CE0297
**Made In
USA**