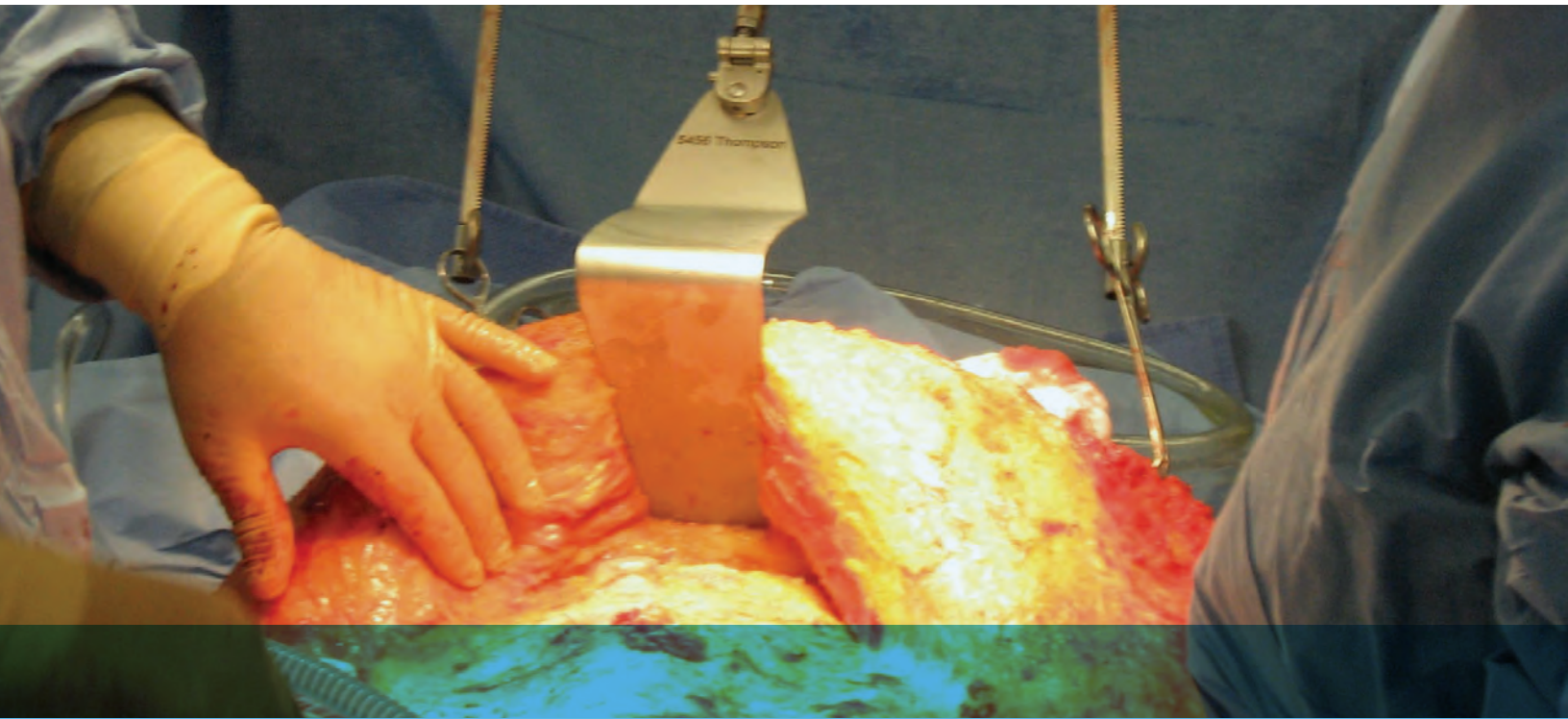


Body Contouring System

Thompson Retractor 

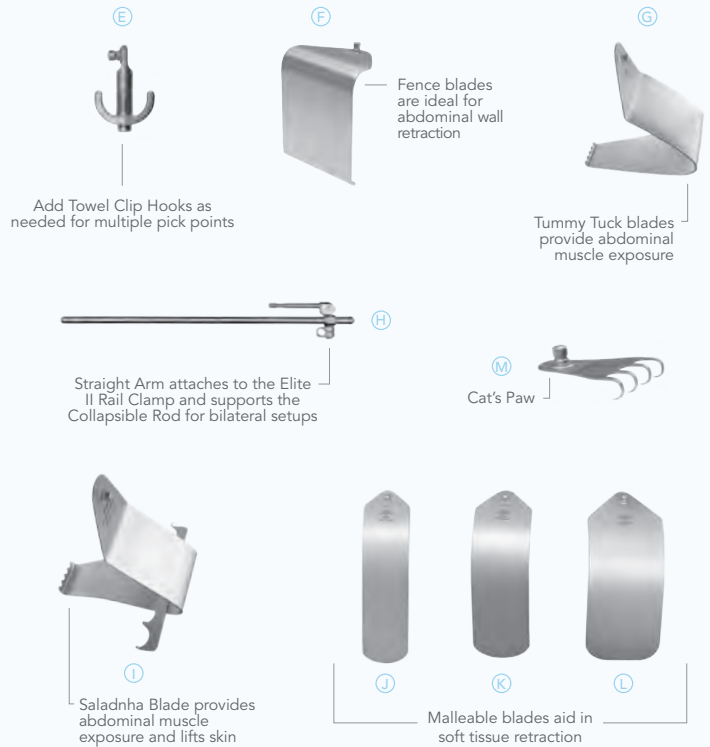
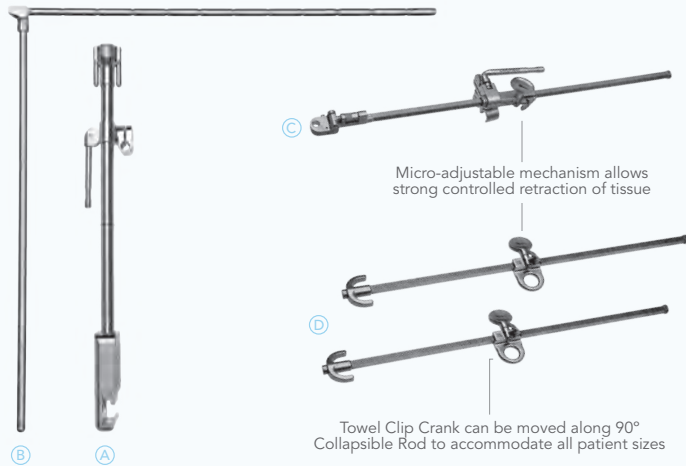


- PANNICULECTOMY
- TUMMY TUCK
- THIGHPLASTY
- BRACHIOPLASTY
- TORSOPLASTY
- MASTOPEXY

Body Contouring System

System Benefits:

- Fatigue free retraction
- Easier, controlled dissection
- Multi-function for a variety of body lifts
- Free up staff
- Maintain sterile field



BODY CONTOURING SYSTEM

QTY.	ITEM DESCRIPTION	PART #
Body Contouring System		
		80043
(A)	1 Elite II Rail Clamp with 1 Cam Joint 22"	41904AC
(B)	1 Collapsible 90° Rod with Grooves	44734
(C)	1 Micro-Adjustable II Clip-on Angling 18"	45007P
(D)	2 Towel Clip Crank	35028
(E)	1 Towel Clip Hook	48001
(F)	1 Fence 102mm x 102mm (4" x 4")	46134
(G)	1 Tummy Tuck 76mm x 140mm (3" x 5 1/2")	46400
	1 Instrument Case 26" x 10" x 5"	50000BL
	1 Angling Head Wrench	43032

BILATERAL EXPANSION KIT*

QTY.	ITEM DESCRIPTION	PART #
Bilateral Expansion Kit*		
		80044
(A)	1 Elite II Rail Clamp with 1 Cam Joint 22"	41904AC
(H)	1 Straight Arm with 1 Cam Joint 20" (50cm)	44120C

* The Bilateral Expansion Kit is recommended for pannus weighing over 25 lbs. and offers greater stability

ACCESSORY BLADE KIT

QTY.	ITEM DESCRIPTION	PART #
Body Contouring Accessory Blade Kit		
		80043A
(I)	1 Saladnya Arched 76mm x 140mm (4" x 5 1/2")	46103
(J)	1 Malleable 64mm x 254mm (2 1/2" x 10")	46124
(K)	1 Malleable 76mm x 254mm (3" x 10")	46124A
(L)	1 Malleable 102mm x 254mm (4" x 10")	46124B
(F)	1 Fence 102mm x 152mm (4" x 6")	46136
(G)	1 Tummy Tuck 102mm x 140mm (4" x 5 1/2")	46401
(M)	1 Cat's Paw 6mm x 64mm (1/4" x 1 1/2")	46402



10170 East Cherry Bend Road
 Traverse City, Michigan 49684
 phone: 231.922.0177
 fax: 231.922.0174

thompsonsurgical.com



The Thompson Retractor Body Contouring System provides Uncompromised Exposure