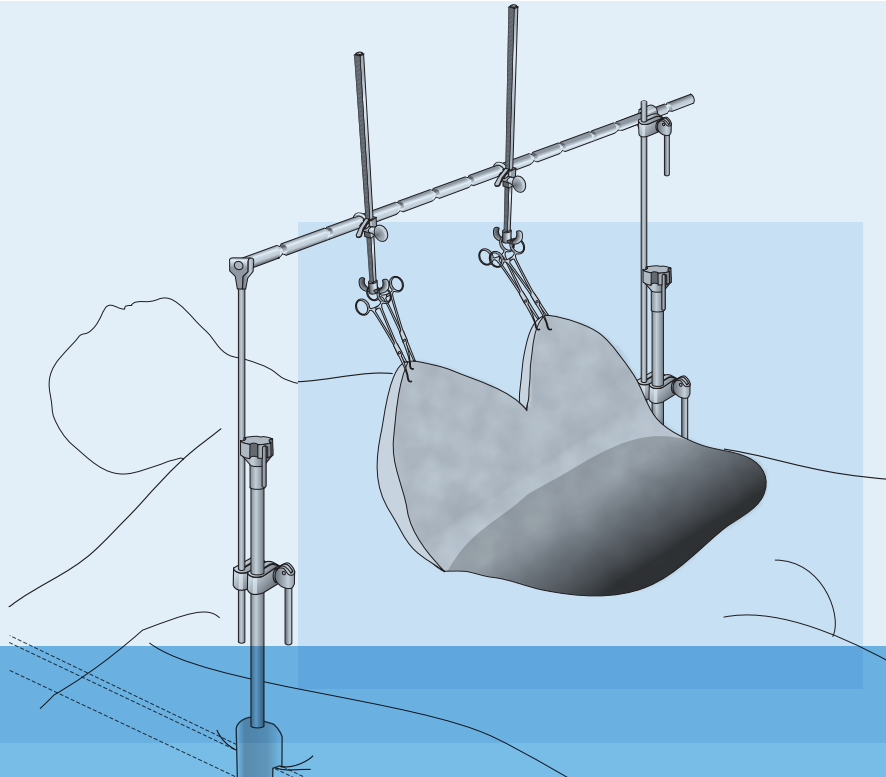
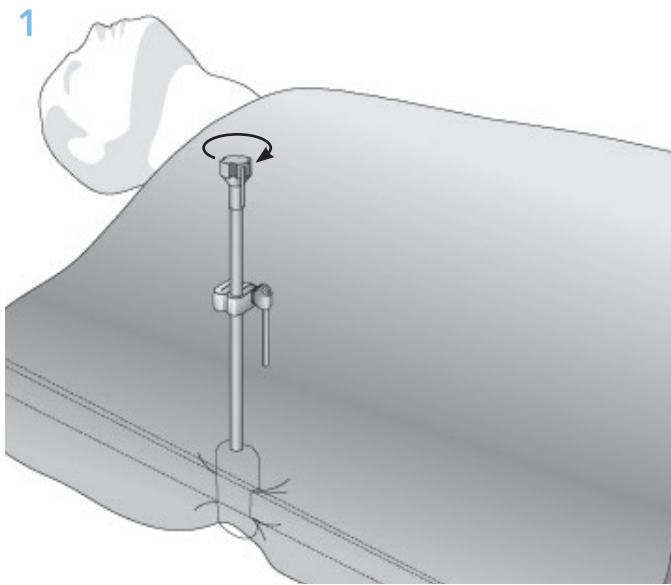


Body Contouring  
System  
User Manual

Thompson Retractor 

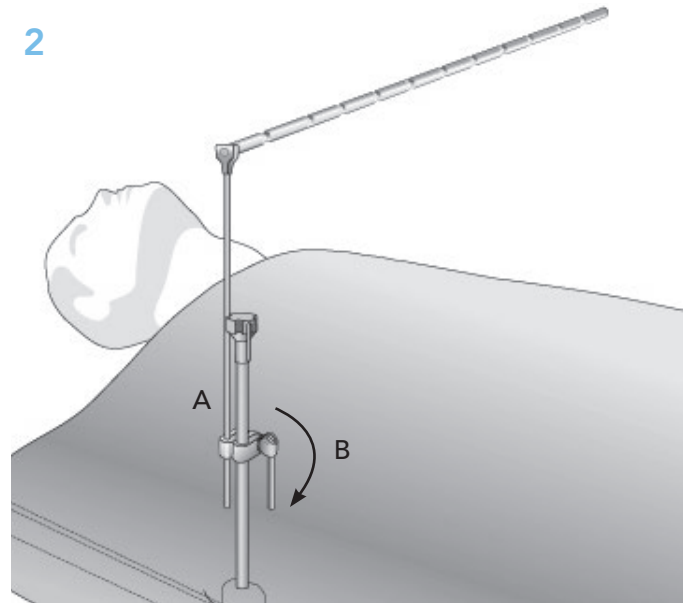


Uncompromised Exposure.



**STEP 1**

Opposite the surgeon, at the patient's nipple line, secure the Elite II Rail Clamp over the sterile drape to the OR table.



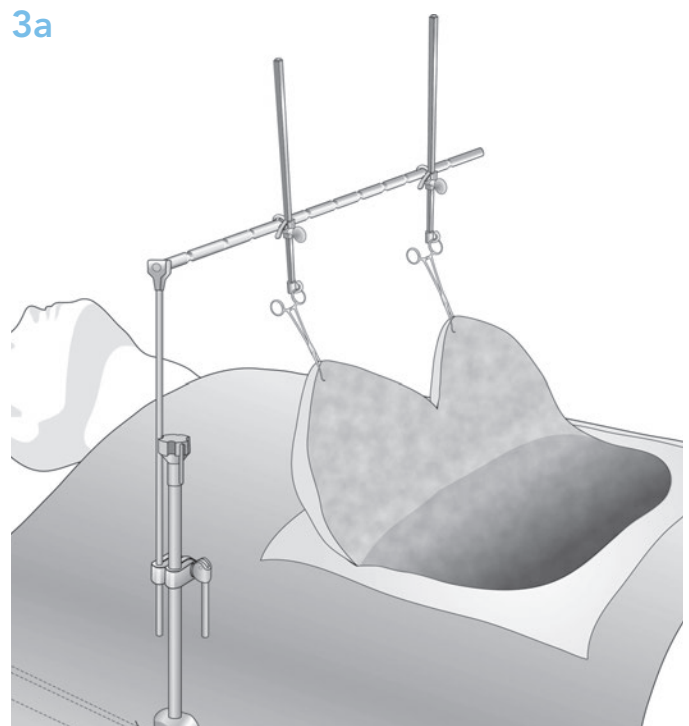
**STEP 2**

- A Insert the Collapsible Grooved Rod (#44734) into the Elite II Rail Clamp's cam joint with the grooved portion in the horizontal position.
- B Position the rod and lock into position actuating by the cam joint handle, pressing it tight, and closing it completely.



**STEP 3**

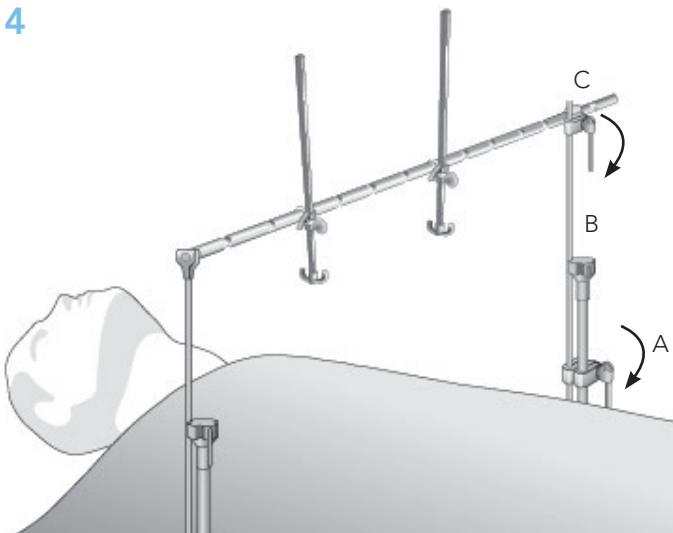
Slide the Towel Clip Cranks over the grooved rod.



**STEP 3a**

For unilateral setup (pannus weighing less than 25lbs), skip step 4 and go to step 5. For bilateral setup (pannus weighing 25lbs or more), continue to step 4.

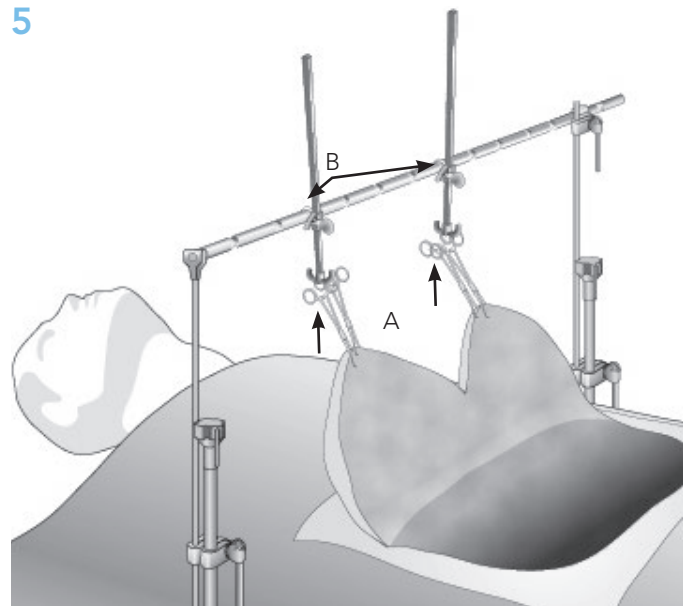
4



**STEP 4**

- A Attach the second Elite II Rail Clamp on the opposite side of the OR table.
- B Insert the Straight Arm with Cam Joint (#44120C) into the Elite II Rail Clamp's cam joint in a vertical position.
- C Attach the Straight Arm to the grooved rod with the attached cam joint. Lock into place by actuating the handle and pressing it tight.

5



**STEP 5**

- A Attach perforating towel clips to pannus as needed and loop the finger rings over the Towel Clip Crank hooks.
- B Retract as needed by turning the Towel Clip Crank's knobs.

Add retractors as needed.

**CAUTION:** Release retractors every 20 minutes to prevent tissue necrosis.

*Please refer to the Thompson Cleaning and Sterilization Manual for complete cleaning and sterilization instructions.*

**BODY CONTOURING SYSTEM**

QTY.	ITEM DESCRIPTION	PART #
<b>Body Contouring System</b>		<b>80043</b>
(A)	1 Elite II Rail Clamp with 1 Cam Joint 22"	41904AC
(B)	1 Collapsible 90° Rod with Grooves	44734
(C)	1 Micro-Adjustable II Clip-on Angling 18"	45007P
(D)	2 Towel Clip Crank	35028
(E)	1 Towel Clip Hook	48001
(F)	1 Fence 102mm x 102mm (4" x 4")	46134
(G)	1 Tummy Tuck 76mm x 140mm (3" x 5 1/2")	46400
	1 Instrument Case 26" x 10" x 5"	50000BL
	1 Angling Head Wrench	43032

**BILATERAL EXPANSION KIT\***

QTY.	ITEM DESCRIPTION	PART #
<b>Bilateral Expansion Kit*</b>		<b>80044</b>
(A)	1 Elite II Rail Clamp with 1 Cam Joint 22"	41904AC
(H)	1 Straight Arm with 1 Cam Joint 20" (50cm)	44120C

*\*The Bilateral Expansion Kit is recommended for pannus weighing over 25 lbs. and offers greater stability*




 **Thompson**  
SURGICAL INSTRUMENTS  
10341 East Cherry Bend Road  
Traverse City, Michigan 49684  
phone: 231.922.0177  
fax: 231.922.0174  
[thompsonsurgical.com](http://thompsonsurgical.com)

EC REP

**Emergo Europe**  
Prinsessegracht 20  
2514 AP The Hague  
THE NETHERLANDS

\* Free trial valid for U.S. customers only. International customers please call for more information.

© 2017 Thompson Surgical Instruments, Inc. Traverse City, Michigan.

© S-Lock® ®, PLA®, and the "T Circle" logomark  are Registered Trademarks of Thompson Surgical Instruments, Inc.  
Patents: US4971038, US5025780, US5888197, US5897087, US5902233, US5984865, US6033363, US6416465, US6511423,  
US7338442, US7749163, US8257255, US8360971, US8617064  
Other patents pending.

**CE0297**  
**Made In**  
**USA**