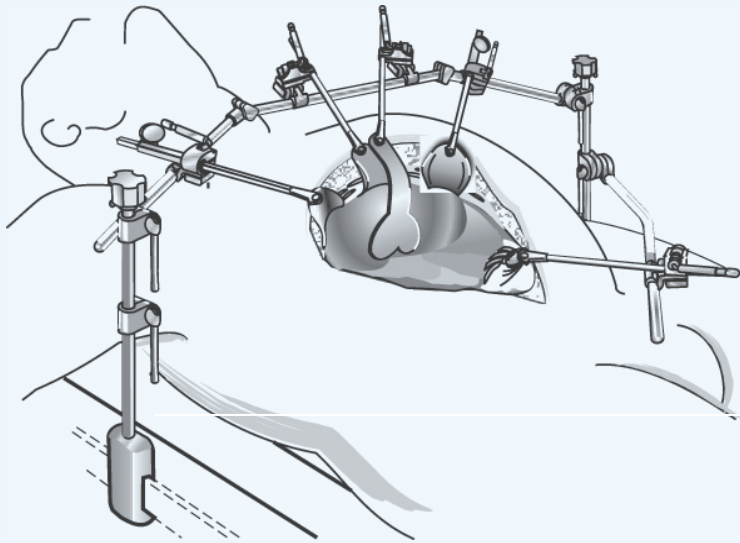


Bariatric Surgery Selection Guide

Thompson Retractor 



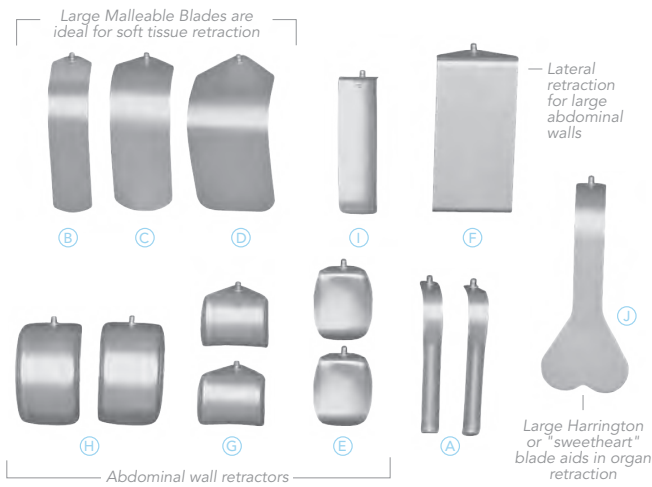
- SUPERIOR STRENGTH
- EASY SET UP
- BILATERAL RIGIDITY



Uncompromised Bariatric Exposure

Bariatric patients are easily accommodated with a variety of large blade sizes found in the Obesity Blade Kit. Micro-Adjustable Bariatric Handles are also available.

• Requires a Bilateral Frame SL90015A or 90015A.



OBESITY BLADE KITS

QTY	ITEM DESCRIPTION	S-LOCK PART #	INTERCH. PART #
Obesity Blade Kits		SL91012L	91012L
A 2	Concave Renal Vein 25mm x 191mm (1" x 7 1/2")	SL46119C	46119C
B 1	Malleable 51mm x 254mm (2" x 10")	SL46122A	46122A
C 1	Malleable 76mm x 254mm (3" x 10")	SO46124A	46124A
D 1	Malleable 102mm x 254mm (4" x 10")	SO46124B	46124B
E 2	Kelly 76mm x 89mm (3" x 3 1/2")	SO46130	46130
F 1	Fence 102mm x 203mm (4" x 8")	SO46136A	46136A
G 2	Balfour 83mm x 76mm (3 1/4" x 3")	SO46141	46141
4	Balfour 83mm x 127mm (3 1/4" x 5")	SO46141D	46141D
H 2	Balfour 89mm x 160mm (3 1/2" x 6 1/4")	SO46141F	46141F
I 1	Richardson 51mm x 178mm (2" x 7")	SO46153	46153
J 1	Harrington 114mm x 254mm (4 1/2" x 10")	SL46161	46161

S-Lock blades are denoted with an 'SL' or 'SO' before the part number. S-Lock blades are compatible with S-Lock handles ONLY (also denoted with an 'SL' before the part #). 'SO' blades "swivel only" and do not "lock" like 'SL' blades.

S-Lock blade kits must only be used with S-Lock Frames, see below.

BILATERAL FRAME KITS

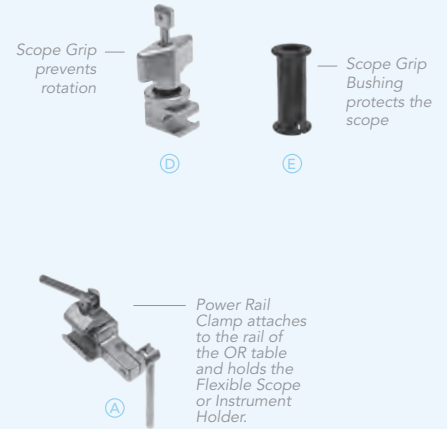
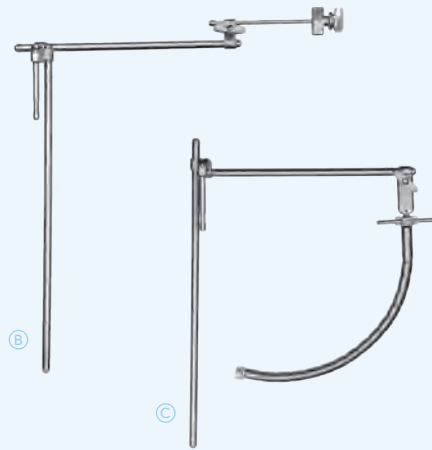
QTY	ITEM DESCRIPTION	S-LOCK PART #	INTERCH. PART #
Bilateral Frame Kits*		SL90015A	90015A
2	Elite II Rail Clamp with 2 Cam Joint 22"	41905AC	41905AC
1	Bilateral Crossbar Hinged	41900H	41900H
1	Bilateral Crossbar Hinged-Large	41900HL	41900HL
2	Angled Arm 24"	44124W	44124W
5	Cam II Clip-on Angling 8"	SL42126WA	42126WA
2	Micro-Adjustable II Clip-on Angling 10"***	SL45006CA	45006CA
1	Angling Head Wrench	43032	43032

***15" Micro-Adjustable Handles also available. (SL45006CAR, 45006CAR)



Laparoscopic Systems and Accessories for Bariatric Surgery

All of our laparoscopic systems and accessories may be used for laparoscopic bariatric surgery.



LAPAROSCOPIC SYSTEM

QTY	ITEM DESCRIPTION	PART #
	Laparoscopic System	80030*
A 2	Power Rail Clamp	41950
B 1	Laparoscopic Instrument Holder	42139N
C 1	Flexible Scope Holder	42133CN
D 1	Scope Grip	33154
1	Scope Grip Bushing 5mm	42136F
E 1	Scope Grip Bushing 10mm	42136T
1	Instrument Case	50000G

*Includes setup for both the Instrument Holder and Scope Holder

FLEXIBLE SCOPE HOLDER SYSTEM 80032**

**Includes setup for the Flexible Scope Holder only

LAPAROSCOPIC INSTRUMENT HOLDER SYSTEM 80031***

***Includes setup for the Instrument Holder only



DUO HEAD

3mm/5mm/10mm 42160N



NATHANSON HOOKS

Small 5mm	42200
Medium 5mm	42201
Large 5mm	42202
Small 6.5mm	42203
Medium 6.5mm	42204
Large 6.5mm	42205

Elite II Rail Clamp Setup Options

The Laparoscopic Instrument Holder and Flexible Scope Holder can be used individually with an Elite II Rail Clamp with one joint, or simultaneously with an Elite II Rail Clamp with two joints.



Elite II Clamp with 1 Joint 18" 41902AC
Laparoscopic Instrument Holder for Elite 42139E



Elite II Clamp with 1 Joint 18" 41902AC
Flexible Scope Holder for Elite 42133CEN



Elite II Clamp with 2 Joint 18" 41903AC
Flexible Scope Holder for Elite 42133CEN
Laparoscopic Instrument Holder for Elite 42139E



10170 East Cherry Bend Road
Traverse City, Michigan 49684
phone: 231.922.0177
fax: 231.922.0174

thompsonsurgical.com

Made in the USA

**For a FREE TRIAL
call 1.800.227.7543**